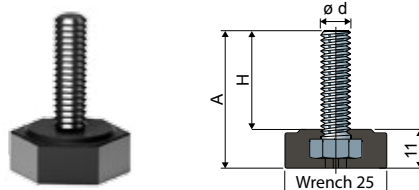


# SUPPORT FEET AND THREADED BUSHINGS



		Wrench 25  PF 1/PFX 1 page 100	Ø 40  PF 2/PFX 2 page 100	Ø 25  PF 3/PFX 3 page 100	Ø 40  PF 4/PFX 4 page 101
		Ø 60  PS 1 page 101	60x95  PS 2 page 102	Ø 80  PS 3 page 102	Ø 102  PS 4 page 102
		Ø 40  PS 5/PSX 5 page 103	Ø 50  PS 6/PSX 6 page 103	Ø 60  PS 7/PSX 7 page 104	60x95  PS 8/PSX 8 page 105
Ø 80  PS 9 page 106	Ø 102  PS 10 page 107	Ø 124  PS 11 page 108	Ø 124  PS 12 page 109	Ø 50  PO 1 page 110	Ø 102  PO 2 page 110
Ø 124  PO 3 page 111	 DT 1 page 111	Ø 124  PO 4 page 112	Ø 80  PO5 page 113	Ø 113  PO6 page 113	Ø 113  PO 7/POX 7 page 114
Ø 180  PO 8 page 114	Ø 80  PO 9/POX 9 pag. 115	Ø 102  PO 10/POX 10 page 115	Ø 124  PO 11/POX 11 page 116	Ø 75  PO 12 page 116	Ø 75  PO 13 page 117
Ø 95  PO 14 page 117	Ø 95  PO 15 page 118	Ø 120  PO 16 page 118	Ø 120  PO 17 page 119	Ø 95  PO 18 page 119	 TP1 page 120
sizes in mm  TP 2 page 121	sizes in mm  TP 3 page 123	sizes in inches  TP 4 page 125	sizes in inches  TP 5 page 126		

## Fixed feet (comoulded) wrench 25 Type: PF1



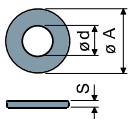
$\varnothing d$	A (mm)	H (mm)	Spindle in zinc plated steel		Max static load (N)
			Type	Code	
M8	38	27	PF1	CP000708	6000

Base material: Reinforced polyamide black colour.  
Box quantity: 24 pieces.

On request

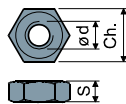
- Bases: In reinforced polypropylene • other colours.
- Rod: In stainless steel AISI 304.
- Box quantity: Not standard.

Washers UNI 6592-69 - Box quantity: 24 pieces.



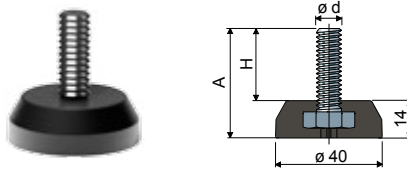
$\varnothing d$ mm	8,4
Smm	1,6
$\varnothing A$ mm	17
Zinc plated steel codes	7636

Nuts UNI 5588-65 - Box quantity: 24 pieces.



$\varnothing d$	M8
Smm	6,5
Ch. mm	13
Zinc plated steel codes	7634

## Fixed feet (comoulded) $\varnothing 40$ Type: PF2



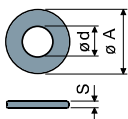
$\varnothing d$	A (mm)	H (mm)	Spindle in zinc plated steel		Max static load (N)
			Type	Code	
M10	40	26	PF2	CP000709	7000

Base material: Reinforced polyamide black colour.  
Box quantity: 24 pieces.

On request

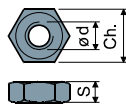
- Bases: In reinforced polypropylene • other colours.
- Rod: In stainless steel AISI 304.
- Box quantity: Not standard.

Washers UNI 6592-69 - Box quantity: 24 pieces.



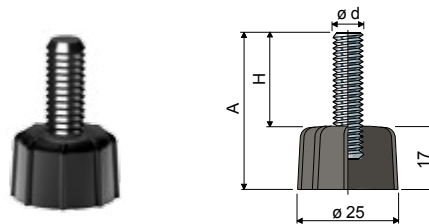
$\varnothing d$ mm	10,5
Smm	2
$\varnothing A$ mm	21
Zinc plated steel codes	7283

Nuts UNI 5588-65 - Box quantity: 24 pieces.



$\varnothing d$	M10
Smm	8
Ch. mm	17
Zinc plated steel codes	7269

## Fixed feet (base in reinforced polyamide) $\varnothing 25$ Type: PF3 e PFX3



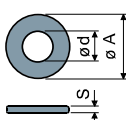
$\varnothing d$	A (mm)	H (mm)	Spindle in zinc plated steel		Spindle in stainless steel AISI 304		Max static load (N)
			Type	Code	Type	Code	
M8	40	23	PF3A	CP000710	PFX3A	CP000715	4000
	50	33	PF3B	CP000711	PFX3B	CP000716	
M10	40	23	PF3C	CP000712	PFX3C	CP000717	5000
	50	33	PF3D	CP000713	PFX3D	CP000718	
M12	75	58	PF3E	CP000714	PFX3E	CP000719	6000

Base material: Reinforced polyamide black colour.  
Box quantity: 24 pieces.

On request

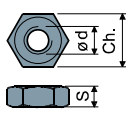
- Bases: In reinforced polypropylene • other colours.
- Box quantity: Not standard.
- Assembling of: Nuts • washers.

Washers UNI 6592-69 - Box quantity: 24 pieces.



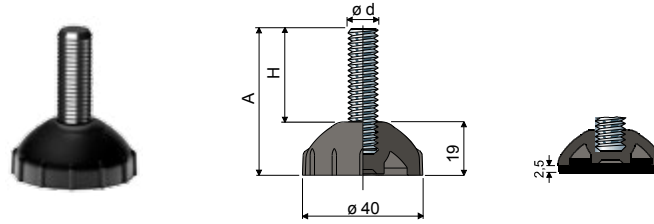
$\varnothing d$ mm	8,4	10,5	13
Smm	1,6	2	2,5
$\varnothing A$ mm	17	21	24
Zinc plated steel codes	7636	7283	7284
Stainless steel codes	7637	7286	7287

Nuts UNI 5588-65 - Box quantity: 24 pieces.



$\varnothing d$	M8	M10	M12
Smm	6,5	8	10
Ch. mm	13	17	19
Zinc plated steel codes	7634	7269	7270
Stainless steel codes	7635	7272	7273

**Fixed feet (base in reinforced polyamide) ø 40 Type: PF4 e PFX4**



ød	A (mm)	H (mm)	Spindle in zinc plated steel		Spindle in stainless steel AISI 304		Max static load (N)
			Type	Code	Type	Code	
M8	40	21	PF4A	CP000720	PFX4A	CP000725	4000
	50	31	PF4B	CP000721	PFX4B	CP000726	
M10	40	21	PF4C	CP000722	PFX4C	CP000727	5000
	50	31	PF4D	CP000723	PFX4D	CP000728	
M12	75	56	PF4E	CP000724	PFX4E	CP000729	6000

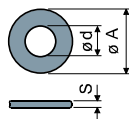
Base material: Reinforced polyamide black colour.  
Box quantity: 24 pieces.

**Accessories**

Anti-slip pads:

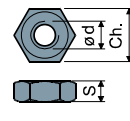
- code: 7263;
- material: soft PVC 68 shore black colour;
- box quantity: 24 pieces.

Washers UNI 6592-69 - Box quantity: 24 pieces.



ø d mm	8,4	10,5	13
Smm	1,6	2	2,5
ø A mm	17	21	24
Zinc plated steel codes	7636	7283	7284
Stainless steel codes	7637	7286	7287

Nuts UNI 5588-65 - Box quantity: 24 pieces.



ø d	M8	M10	M12
Smm	6,5	8	10
Ch. mm	13	17	19
Zinc plated steel codes	7634	7269	7270
Stainless steel codes	7635	7272	7273

**On request**

- Bases: In reinforced polypropylene • other colours.
- Box quantity: Not standard.
- Assembling of: Anti-slip pads • nuts • washers.

**Articulated feet (in reinforced polyamide) ø 60 Type: PS1**



ød	A (mm)	H (mm)	Wrench (mm)	Spindle and base in reinforced polyamide		Max static load (N)
				Type	Code	
M16	101	67	24	PS1A	CP000730	7000
M20	174	140	24	PS1B	CP000731	7500

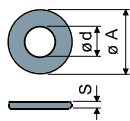
Material base and spindle: Reinforced polyamide black colour.  
Box quantity: 24 pieces.

**Accessories**

Anti-slip pads:

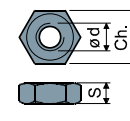
- code: 7265;
- material: soft PVC 68 shore black colour;
- box quantity: 24 pieces.

Washers UNI 6592-69 - Box quantity: 24 pieces.



ø d mm	17	21
Smm	3	3
ø A mm	30	37
Zinc plated steel codes	7289	7290
Stainless steel codes	7291	7292

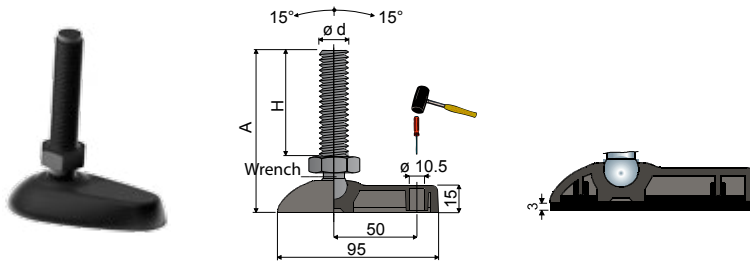
Nuts UNI 5588-65 - Box quantity: 24 pieces.



ø d	M16	M20
Smm	13	16
Ch. mm	24	30
Zinc plated steel codes	7275	7276
Stainless steel codes	7277	7278

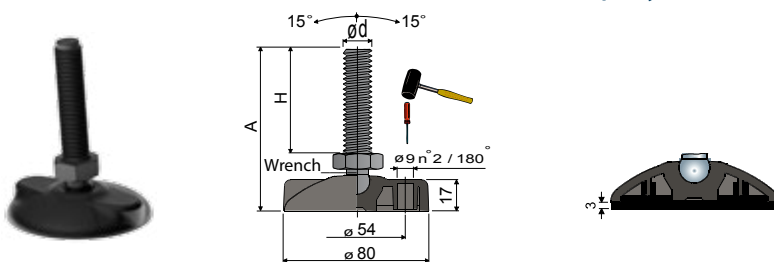
**On request**

- Bases: In reinforced polypropylene • other colours.
- Box quantity: Not standard.
- Assembling of: Anti-slip pads • nuts • washers.

**Articulated feet (in reinforced polyamide) 60 x 95 Type: PS 2**


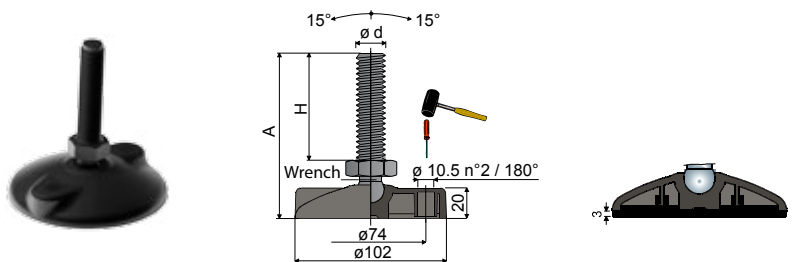
Accessories  
 Anti-slip pads:  
 - code: 7632;  
 - material: soft PVC 68 shore black colour;  
 - box quantity: 24 pieces.

$\varnothing d$	A (mm)	H (mm)	Wrench (mm)	Spindle and base in reinforced polyamide		Max static load (N)
				Type	Code	
M16	101	67	24	PS2A	CP000732	7000
M20	174	140	24	PS2B	CP000733	7500

**Articulated feet (in reinforced polyamide)  $\varnothing 80$  Type: PS 3**


Accessories  
 Anti-slip pads:  
 - code: 7266;  
 - material: soft PVC 68 shore black colour;  
 - box quantity: 24 pieces.

$\varnothing d$	A (mm)	H (mm)	Wrench (mm)	Spindle and base in reinforced polyamide		Max static load (N)
				Type	Code	
M16	104	67	24	PS3A	CP000734	7000
M20	177	140	24	PS3B	CP000735	7500

**Articulated feet (in reinforced polyamide)  $\varnothing 102$  Type: PS 4**


Accessories  
 Anti-slip pads:  
 - code: 7267;  
 - material: soft PVC 68 shore black colour;  
 - box quantity: 24 pieces.

$\varnothing d$	A (mm)	H (mm)	Wrench (mm)	Spindle and base in reinforced polyamide		Max static load (N)
				Type	Code	
M16	107	67	24	PS4A	CP000736	7000
M20	180	140	24	PS4B	CP000737	7500

Material base and spindle: Reinforced polyamide black colour.  
 Box quantity: 24 pieces.

On request

- Bases: In reinforced polypropylene • other colours.
- Box quantity: Not standard.
- Assembling of: Anti-slip pads • nuts • washers.

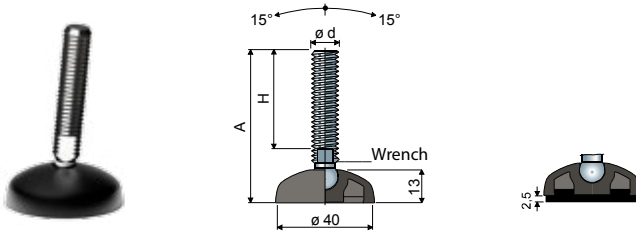
Washers UNI 6592-69 - Box quantity: 24 pieces.

$\varnothing d$ mm	17	21
Smm	3	3
$\varnothing A$ mm	30	37
Zinc plated steel codes	7289	7290
Stainless steel codes	7291	7292

Nuts UNI 5588-65 - Box quantity: 24 pieces.

$\varnothing d$	M16	M20
Smm	13	16
Ch. mm	24	30
Zinc plated steel codes	7275	7276
Stainless steel codes	7277	7278

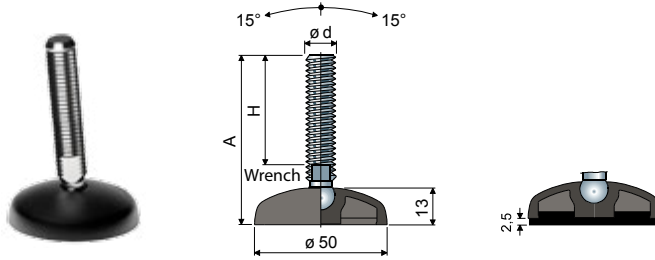
Articulated feet (base in reinforced polyamide)  $\varnothing 40$  Type: PS 5 e PSX 5



Accessories  
Anti-slip pads:  
- code: 7263;  
- material: soft PVC 68 shore  
black colour;  
- box quantity: 24 pieces.

Spindle measures in mm and inches								
$\varnothing d$	A	H	Wrench	Spindle in zinc plated steel		Spindle in stainless steel AISI 304		Max static load (N)
				Type	Code	Type	Code	
M8	68	45	6	PSSA	CP000738	PSX5A	CP000753	10000
	88	65	6	PS5B	CP000739	PSX5B	CP000754	
	130	107	6	PS5C	CP000740	PSX5C	CP000755	
M10	60	35	8	PS5D	CP000741	PSX5D	CP000756	11000
	95	70	8	PS5E	CP000742	PSX5E	CP000757	
	140	115	8	PS5F	CP000743	PSX5F	CP000758	
M12	70	43	10	PS5G	CP000744	PSX5G	CP000759	12000
	90	63	10	PS5H	CP000745	PSX5H	CP000760	
	105	77	10	PS5I	CP000746	PSX5I	CP000761	
	120	93	10	PS5L	CP000747	PSX5L	CP000762	
	150	123	10	PS5M	CP000748	PSX5M	CP000763	
M14	90	61	12	PS5N	CP000749	PSX5N	CP000764	13000
	120	91	12	PS5O	CP000750	PSX5O	CP000765	
	145	116	12	PS5P	CP000751	PSX5P	CP000766	
1/2"-13 UNC	5,08	4	7/16"	PS5Q	CP000752	PSX5Q	CP000767	12000

Articulated feet (base in reinforced polyamide)  $\varnothing 50$  Type: PS 6 e PSX 6



Accessories  
Anti-slip pads:  
- code: 7264;  
- material: soft PVC 68 shore  
black colour;  
- box quantity: 24 pieces.

Spindle measures in mm and inches								
$\varnothing d$	A	H	Wrench	Spindle in zinc plated steel		Spindle in stainless steel AISI 304		Max static load (N)
				Type	Code	Type	Code	
M8	68	45	6	PS6A	CP000768	PSX6A	CP000783	11000
	88	65	6	PS6B	CP000769	PSX6B	CP000784	
	130	107	6	PS6C	CP000770	PSX6C	CP000785	
M10	60	35	8	PS6D	CP000771	PSX6D	CP000786	12000
	95	70	8	PS6E	CP000772	PSX6E	CP000787	
	140	115	8	PS6F	CP000773	PSX6F	CP000788	
M12	70	43	10	PS6G	CP000774	PSX6G	CP000789	13000
	90	63	10	PS6H	CP000775	PSX6H	CP000790	
	105	77	10	PS6I	CP000776	PSX6I	CP000791	
	120	93	10	PS6L	CP000777	PSX6L	CP000792	
	150	123	10	PS6M	CP000778	PSX6M	CP000793	
M14	90	61	12	PS6N	CP000779	PSX6N	CP000794	14000
	120	91	12	PS6O	CP000780	PSX6O	CP000795	
	145	116	12	PS6P	CP000781	PSX6P	CP000796	
1/2"-13 UNC	5,1	4	7/16"	PS6Q	CP000782	PSX6Q	CP000797	12000

Base material: Reinforced polyamide black colour.  
Box quantity: 24 pieces.

On request

- Bases: In reinforced polypropylene • other colours.
- Spindles with: Sunk hexagon head • second wrench seat head • hexagon wrench seat • threads with other pitches and lengths.
- Box quantity: Not standard. • Assembling of: Anti-slip pads • nuts • washers.

**Washers** UNI 6592-69 - **Box quantity:** 24 pieces.

$\varnothing d$ mm	8,4	10,5	13	15
Smm	1,6	2	2,5	2,5
$\varnothing A$ mm	17	21	24	28
Zinc plated steel codes	7636	7283	7284	7285
Stainless steel codes	7637	7286	7287	7288

**Nuts** UNI 5588-65 - **Box quantity:** 24 pieces.

$\varnothing d$	M8	M10	M12	M14
Smm	6,5	8	10	11
Ch. mm	13	17	19	22
Zinc plated steel codes	7634	7269	7270	7271
Stainless steel codes	7635	7272	7273	7274

**Articulated feet (base in reinforced polyamide) ø60 Type: PS 7 e PSX 7**


Spindle measures in mm								
ød	A	H	Wrench	Spindle in zinc plated steel		Spindle in stainless steel AISI 304		Max static load (N)
				Type	Code	Type	Code	
M8	72	45	6	PS7A	CP000798	PSX7A	CP000826	12000
	92	65	6	PS7B	CP000799	PSX7B	CP000827	
	134	107	6	PS7C	CP000800	PSX7C	CP000828	
M10	64	35	8	PS7D	CP000801	PSX7D	CP000829	13000
	99	70	8	PS7E	CP000802	PSX7E	CP000830	
	144	115	8	PS7F	CP000803	PSX7F	CP000831	
	74	43	10	PS7G	CP000804	PSX7G	CP000832	
M12	94	63	10	PS7H	CP000805	PSX7H	CP000833	14000
	109	77	10	PS7I	CP000806	PSX7I	CP000834	
	124	93	10	PS7L	CP000807	PSX7L	CP000835	
	154	123	10	PS7M	CP000808	PSX7M	CP000836	
M14	94	61	12	PS7N	CP000809	PSX7N	CP000837	15000
	124	91	12	PS7O	CP000810	PSX7O	CP000838	
	149	116	12	PS7P	CP000811	PSX7P	CP000839	
	95	60	13	PS7Q	CP000812	PSX7Q	CP000840	
M16	125	90	13	PS7R	CP000813	PSX7R	CP000841	17000
	140	105	13	PS7S	CP000814	PSX7S	CP000842	
	160	125	13	PS7T	CP000815	PSX7T	CP000843	
	190	155	13	PS7U	CP000816	PSX7U	CP000844	
	200	165	13	PS7V	CP000817	PSX7V	CP000845	
	240	205	13	PS7Z	CP000818	PSX7Z	CP000846	
M20	125	86	17	PS7W	CP000819	PSX7W	CP000847	19000
	155	116	17	PS7X	CP000820	PSX7X	CP000848	
	180	141	17	PS7Y	CP000821	PSX7Y	CP000849	
	245	206	17	PS7J	CP000822	PSX7J	CP000850	

Spindle measures in inches								
ød	A	H	Wrench	Spindle in zinc plated steel		Spindle in stainless steel AISI 304		Max static load (N)
				Type	Code	Type	Code	
1/2"-13 UNC	5,24	4	7/16"	PS7α	CP000823	PSX7α	CP000851	14000
5/8"-11 UNC	8,36	7	1/2"	PS7β	CP000824	PSX7β	CP000852	17000
3/4"-10 UNC	8,43	7	5/8"	PS7γ	CP000825	PSX7γ	CP000853	19000

Base material: Reinforced polyamide black colour.

Box quantity: 24 pieces.

**Accessories**

Anti-slip pads:

- code: 7265;

- material: soft PVC 68 shore black colour;

- box quantity: 24 pieces.

Washers UNI 6592-69 - Box quantity: 24 pieces.

	ø d mm	8,4	10,5	13	15	17	21
	Smm	1,6	2	2,5	2,5	3	3
	ø A mm	17	21	24	28	30	37
	Zinc plated steel codes	7636	7283	7284	7285	7289	7290
	Stainless steel codes	7637	7286	7287	7288	7291	7292

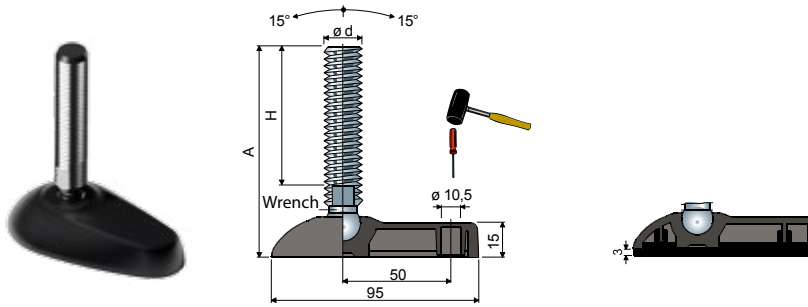
Nuts UNI 5588-65 - Box quantity: 24 pieces.

	ø d	M8	M10	M12	M14	M16	M20
	Smm	6,5	8	10	11	13	16
	Ch. mm	13	17	19	22	24	30
	Zinc plated steel codes	7634	7269	7270	7271	7275	7276
	Stainless steel codes	7635	7272	7273	7274	7277	7278

On request

- Bases: In reinforced polypropylene • other colours.
- Spindles with: Sunk hexagon head • second wrench seat head • hexagon wrench seat • threads with other pitches and lengths.
- Box quantity: Not standard.
- Assembling of: Anti-slip pads • nuts • washers.

Articulated feet (base in reinforced polyamide) 60x95 Type: PS 8 e PSX 8



Spindle measures in mm								
ød	A	H	Wrench	Spindle in zinc plated steel		Spindle in stainless steel AISI 304		Max static load (N)
				Type	Code	Type	Code	
M8	72	45	6	PS8A	CP000854	PSX7A	CP000882	12000
	92	65	6	P8B	CP000855	PSX8B	CP000883	
	134	107	6	PS8C	CP000856	PSX8C	CP000884	
M10	64	35	8	PS8D	CP000857	PSX8D	CP000885	13000
	99	70	8	PS8E	CP000858	PSX8E	CP000886	
	144	115	8	PS8F	CP000859	PSX8F	CP000887	
M12	74	43	10	PS8G	CP000860	PSX8G	CP000888	14000
	94	63	10	PS8H	CP000861	PSX8H	CP000889	
	109	77	10	PS8I	CP000862	PSX8I	CP000890	
	124	93	10	PS8L	CP000863	PSX8L	CP000891	
M14	154	123	10	PS8M	CP000864	PSX8M	CP000892	15000
	94	61	12	PS8N	CP000865	PSX8N	CP000893	
	124	91	12	PS8O	CP000866	PSX8O	CP000894	
M16	149	116	12	PS8P	CP000867	PSX8P	CP000895	17000
	95	60	13	PS8Q	CP000868	PSX8Q	CP000896	
	125	90	13	PS8R	CP000869	PSX8R	CP000897	
	140	105	13	PS8S	CP000870	PSX8S	CP000898	
	160	125	13	PS8T	CP000871	PSX8T	CP000899	
	190	155	13	PS8U	CP000872	PSX8U	CP000900	
M20	200	165	13	PS8V	CP000873	PSX8V	CP000901	19000
	240	205	13	PS8Z	CP000874	PSX8Z	CP000902	
	125	86	17	PS8W	CP000875	PSX8W	CP000903	
	155	116	17	PS8X	CP000876	PSX8X	CP000904	
M20	180	141	17	PS8Y	CP000877	PSX8Y	CP000905	19000
	245	206	17	PS8J	CP000878	PSX8J	CP000906	

Spindle measures in inches								
ød	A	H	Wrench	Spindle in zinc plated steel		Spindle in stainless steel AISI 304		Max static load (N)
				Type	Code	Type	Code	
1/2"-13 UNC	5,24	4	7/16"	PS8α	CP000879	PSX8α	CP000907	14000
5/8"-11 UNC	8,38	7	1/2"	PS8β	CP000880	PSX8β	CP000908	17000
3/4"-10 UNC	8,47	7	5/8"	PS8γ	CP000881	PSX8γ	CP000909	19000

Base material: Reinforced polyamide black colour.  
Box quantity: 24 pieces.

Accessories

Anti-slip pads:

- code: 7632;
- material: soft PVC 68 shore black colour;
- box quantity: 24 pieces.

Washers UNI 6592-69 - Box quantity: 24 pieces.

	ø d mm	8,4	10,5	13	15	17	21
	Smm	1,6	2	2,5	2,5	3	3
	ø A mm	17	21	24	28	30	37
	Zinc plated steel codes	7636	7283	7284	7285	7289	7290
	Stainless steel codes	7637	7286	7287	7288	7291	7292

Nuts UNI 5588-65 - Box quantity: 24 pieces.

	ø d	M8	M10	M12	M14	M16	M20
	Smm	6,5	8	10	11	13	16
	Ch. mm	13	17	19	22	24	30
	Zinc plated steel codes	7634	7269	7270	7271	7275	7276
	Stainless steel codes	7635	7272	7273	7274	7277	7278

On request

- Bases: In reinforced polypropylene • other colours • with prebored fixing holes.
- Spindles with: Sunk hexagon head • second wrench seat head • hexagon wrench seat • threads with other pitches and lengths.
- Box quantity: Not standard.
- Assembling of: Anti-slip pads • nuts • washers.

**Articulated feet (base in reinforced polyamide) ø 80 Type: PS 9**


Spindle measures in mm								
ød	A	H	Wrench	Spindle in zinc plated steel		Spindle in stainless steel AISI 304		Max static load (N)
				Type	Code	Type	Code	
M8	74	45	6	PS9A	CP000910	PSX9A	CP000943	12000
	94	65	6	PS9B	CP000911	PSX9B	CP000944	
	136	107	6	PS9C	CP000912	PSX9C	CP000945	
M10	66	35	8	PS9D	CP000913	PSX9D	CP000946	14000
	101	70	8	PS9E	CP000914	PSX9E	CP000947	
	146	115	8	PS9F	CP000915	PSX9F	CP000948	
M12	76	43	10	PS9G	CP000916	PS9G	CP000949	15000
	96	63	10	PS9H	CP000917	PSX9H	CP000950	
	111	77	10	PS9I	CP000918	PSX9I	CP000951	
M14	126	93	10	PS9L	CP000919	PSX9L	CP000952	16000
	156	123	10	PS9M	CP000920	PSX9M	CP000953	
	96	61	12	PS9N	CP000921	PSX9N	CP000954	
M16	126	91	12	PS9O	CP000922	PSX9O	CP000955	19000
	151	116	12	PS9P	CP000923	PSX9P	CP000956	
	97	60	13	PS9Q	CP000924	PSX9Q	CP000957	
M20	127	90	13	PS9R	CP000925	PSX9R	CP000958	21000
	142	105	13	PS9S	CP000926	PSX9S	CP000959	
	162	125	13	PS9L	CP000927	PSX9L	CP000960	
M24	192	155	13	PS9U	CP000928	PSX9U	CP000961	23000
	202	165	13	PS9V	CP000929	PSX9V	CP000962	
	242	205	13	PS9Z	CP000930	PSX9Z	CP000963	
M24	127	86	17	PS9W	CP000931	PSX9W	CP000964	21000
	157	116	17	PS9X	CP000932	PSX9X	CP000965	
	182	141	17	PS9Y	CP000933	PSX9Y	CP000966	
M24	247	206	17	PS9J	CP000934	PSX9J	CP000967	23000
	137	96	19	PS9K	CP000935	PSX9K	CP000968	
	163	122	19	PS9α	CP000936	PSX9α	CP000969	
M24	193	152	19	PS9β	CP000937	PSX9β	CP000970	23000
	223	182	19	PS9γ	CP000938	PSX9γ	CP000971	
	341	300	19	PS9δ	CP000939	PSX9δ	CP000972	

Spindle measures in inches								
ød	A	H	Wrench	Spindle in zinc plated steel		Spindle in stainless steel AISI 304		Max static load (N)
				Type	Code	Type	Code	
1/2"-13 UNC	5,20	4	7/16"	PS9ε	CP000940	PSX9ε	CP000973	15000
5/8"-11 UNC	8,32	7	1/2"	PS9η	CP000841	PSX9η	CP000974	19000
3/4"-10 UNC	8,41	7	5/8"	PS9θ	CP000942	PSX9θ	CP000975	21000

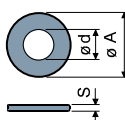
Base material: Reinforced polyamide black colour.  
Box quantity: 24 pieces.

**Accessories**

Anti-slip pads:

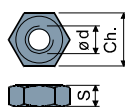
- code: 7266;
- material: soft PVC 68 shore black colour;
- box quantity: 24 pieces.

Washers UNI 6592-69 - Box quantity: 24 pieces.



ø d mm	8,4	10,5	13	15	17	21	25
Smm	1,6	2	2,5	2,5	3	3	4
ø A mm	17	21	24	28	30	37	44
Zinc plated steel codes	7636	7283	7284	7285	7289	7290	7293
Stainless steel codes	7637	7286	7287	7288	7291	7292	7294

Nuts UNI 5588-65 - Box quantity: 24 pieces.



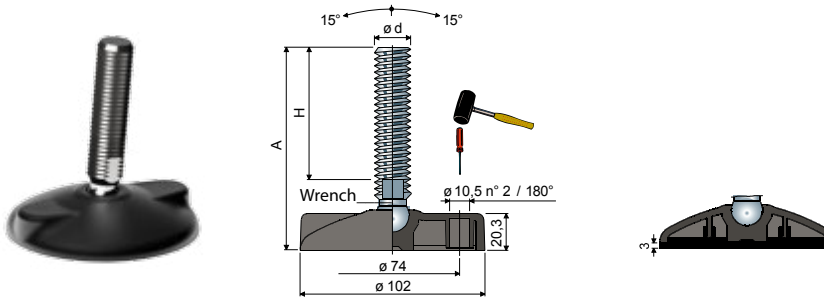
ø d	M8	M10	M12	M14	M16	M20	M24
Smm	6,5	8	10	11	13	16	19
Ch. mm	13	17	19	22	24	30	36
Zinc plated steel codes	7634	7269	7270	7271	7275	7276	7279
Stainless steel codes	7635	7272	7273	7274	7277	7278	7280

On request

- Bases: In reinforced polypropylene • other colours • with prebored fixing holes.
- Spindles with: Sunk hexagon head • second wrench seat head • hexagon wrench seat • threads with other pitches and lengths.
- Box quantity: Not standard.
- Assembling of: Anti-slip pads • nuts • washers.



Articulated feet (base in reinforced polyamide) ø 102 Type: PS 10



Spindle measures in mm								
ød	A	H	Wrench	Spindle in zinc plated steel		Spindle in stainless steel AISI 304		Max static load (N)
				Type	Code	Type	Code	
M12	79	43	10	PS10A	CP000976	PSX10A	CP001003	15000
	99	63	10	PS10B	CP000977	PSX10B	CP001004	
	114	78	10	PS10C	CP000978	PSX10C	CP001005	
	129	93	10	PS10D	CP000979	PSX10D	CP001006	
	159	123	10	PS10E	CP000980	PSX10E	CP001007	
M14	99	61	12	PS10F	CP000981	PSX10F	CP001008	18000
	129	91	12	PS10G	CP000982	PSX10G	CP001009	
	154	116	12	PS10H	CP000983	PSX10H	CP001010	
	100	60	13	PS10I	CP000984	PSX10I	CP001011	
M16	130	90	13	PS10L	CP000985	PSX10L	CP001012	22000
	145	105	13	PS10M	CP000986	PSX10M	CP001013	
	165	125	13	PS10N	CP000987	PSX10N	CP001014	
	195	155	13	PS10O	CP000988	PSX10O	CP001015	
	205	165	13	PS10P	CP000989	PSX10P	CP001016	
	245	205	13	PS10Q	CP000990	PSX10Q	CP001017	
	130	86	17	PS10R	CP000991	PSX10R	CP001018	
M20	160	116	17	PS10S	CP000992	PSX10S	CP001019	24000
	185	141	17	PS10T	CP000993	PSX10T	CP001020	
	250	206	17	PS10U	CP000994	PSX10U	CP001021	
	140	96	19	PS10V	CP000995	PSX10V	CP001022	
M24	166	122	19	PS10Z	CP000996	PSX10Z	CP001023	26000
	196	152	19	PS10W	CP000997	PSX10W	CP001024	
	226	182	19	PS10X	CP000998	PSX10X	CP001025	
	344	300	19	PS10Y	CP000999	PSX10Y	CP001026	

Spindle measures in inches								
ød	A	H	Wrench	Spindle in zinc plated steel		Spindle in stainless steel AISI 304		Max static load (N)
				Type	Code	Type	Code	
1/2"-13 UNC	5,44	4	7/16"	PS10J	CP001000	PSX10J	CP001027	15000
5/8"-11 UNC	8,57	7	1/2"	PS10K	CP001001	PSX10K	CP001028	22000
3/4"-10 UNC	8,65	7	5/8"	PS10α	CP001002	PSX10α	CP001029	24000

Base material: Reinforced polyamide black colour.

Box quantity: 24 pieces.

Accessories

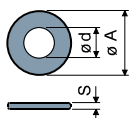
Anti-slip pads:

- code: 7267;

- material: soft PVC 68 shore black colour;

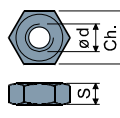
- box quantity: 24 pieces.

Washers UNI 6592-69 - Box quantity: 24 pieces.



ø d mm	13	15	17	21	25
Smm	2,5	2,5	3	3	4
ø A mm	24	28	30	37	44
Zinc plated steel codes	7284	7285	7289	7290	7293
Stainless steel codes	7287	7288	7291	7292	7294

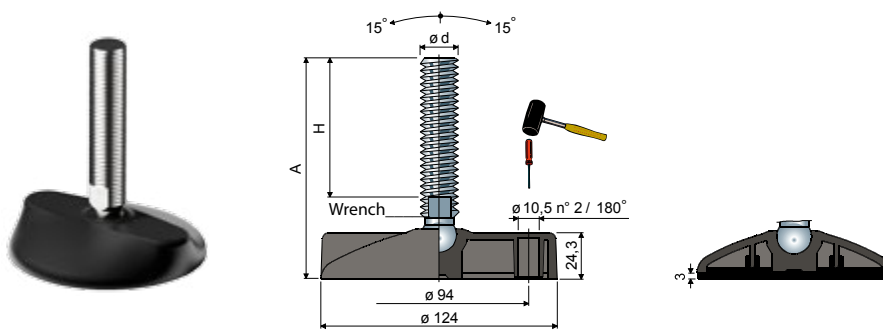
Nuts UNI 5588-65 - Box quantity: 24 pieces.



ø d	M12	M14	M16	M20	M24
Smm	10	11	13	16	19
Ch. mm	19	22	24	30	36
Zinc plated steel codes	7270	7271	7275	7276	7279
Stainless steel codes	7273	7274	7277	7278	7280

On request

- Bases: In reinforced polypropylene • other colours • with prebored fixing holes.
- Spindles with: Sunk hexagon head • second wrench seat head • hexagon wrench seat • threads with other pitches and lengths.
- Box quantity: Not standard.
- Assembling of: Anti-slip pads • nuts • washers.

**Articulated feet (base in reinforced polyamide)  $\varnothing$  124 Type: PS 11**


Spindle measures in mm								
$\varnothing d$	A	H	Wrench	Spindle in zinc plated steel		Spindle in stainless steel AISI 304		Max static load (N)
				Type	Code	Type	Code	
M14	103	61	12	PS11A	CP001030	PSX11A	CP001051	18000
	133	91	12	PS11B	CP001031	PSX11B	CP001052	
	158	116	12	PS11C	CP001032	PSX11C	CP001053	
M16	104	60	13	PS11D	CP001033	PSX11D	CP001054	25000
	134	90	13	PS11E	CP001034	PSX11E	CP001055	
	149	105	13	PS11F	CP001035	PSX11F	CP001056	
	169	125	13	PS11G	CP001036	PSX11G	CP001057	
	199	155	13	PS11H	CP001037	PSX11H	CP001058	
	209	165	13	PS11I	CP001038	PSX11I	CP001059	
	249	205	13	PS11L	CP001039	PSX11L	CP001060	
M20	134	86	17	PS11M	CP001040	PSX11M	CP001061	27000
	164	116	17	PS11N	CP001041	PSX11N	CP001062	
	189	141	17	PS11O	CP001042	PSX11O	CP001063	
	254	206	17	PS11P	CP001043	PSX11P	CP001064	
M24	144	96	19	PS11Q	CP001044	PSX11Q	CP001065	29000
	170	122	19	PS11R	CP001045	PSX11R	CP001066	
	200	152	19	PS11S	CP001046	PSX11S	CP001067	
	230	182	19	PS11T	CP001047	PSX11T	CP001068	
	348	300	19	PS11U	CP001048	PSX11U	CP001069	

Spindle measures in inches								
$\varnothing d$	A	H	Wrench	Spindle in zinc plated steel		Spindle in stainless steel AISI 304		Max static load (N)
				Type	Code	Type	Code	
5/8"-11 UNC	8,75	7	1/2"	PS11V	CP001049	PSX11V	CP001070	25000
3/4"-10 UNC	8,82	7	5/8"	PS11Z	CP001050	PSX11Z	CP001071	27000

Base material: Reinforced polyamide black colour.

Box quantity: 8 pieces.

Accessories

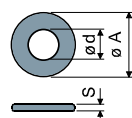
Anti-slip pads:

- code: 7268;

- material: soft PVC 68 shore black colour;

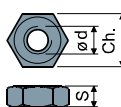
- box quantity: 8 pieces.

Washers UNI 6592-69 - Box quantity: 24 pieces.



$\varnothing d$ mm	17	21	25	31
Smm	3	3	4	4
$\varnothing A$ mm	30	37	44	56
Zinc plated steel codes	7289	7290	7293	7295
Stainless steel codes	7291	7292	7294	7296

Nuts UNI 5588-65 - Box quantity: 24 pieces.

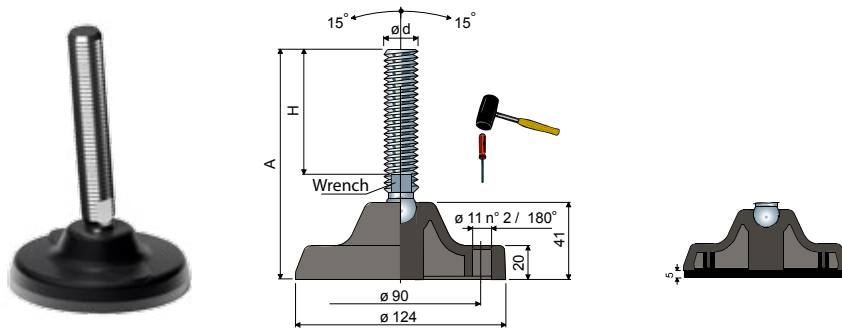


$\varnothing d$	M16	M20	M24	M30
Smm	13	16	19	24
Ch. mm	24	30	36	46
Zinc plated steel codes	7275	7276	7279	7281
Stainless steel codes	7277	7278	7280	7282

On request

- Bases: In reinforced polypropylene • other colours • with prebored fixing holes.
- Spindles with: Sunk hexagon head • second wrench seat head • hexagon wrench seat • threads with other pitches and lengths.
- Box quantity: Not standard.
- Assembling of: Anti-slip pads • nuts • washers.

Articulated feet (base in reinforced polyamide) ø 124 Type: PS 12 e PSX 12



Spindle measures in mm				Spindle in zinc plated steel		Spindle in stainless steel AISI 304		Max static load (N)
ød	A	H	Wrench	Type	Code	Type	Code	
M16	120	60	13	PS12A	CP001072	PSX12A	CP001090	25000
	150	90	13	PS12B	CP001073	PSX12B	CP001091	
	165	105	13	PS12C	CP001074	PSX12C	CP001092	
	185	125	13	PS12D	CP001075	PSX12D	CP001093	
	215	155	13	PS12E	CP001076	PSX12E	CP001094	
	225	165	13	PS12F	CP001077	PSX12F	CP001095	
M20	265	205	13	PS12G	CP001078	PSX12G	CP001096	27000
	149	86	17	PS12H	CP001079	PSX12H	CP001097	
	179	116	17	PS12I	CP001080	PSX12I	CP001098	
	204	141	17	PS12L	CP001081	PSX12L	CP001099	
	269	206	17	PS12M	CP001082	PSX12M	CP001100	
M24	159	96	19	PS12N	CP001083	PSX12N	CP001101	29000
	185	122	19	PS12O	CP001084	PSX12O	CP001102	
	215	152	19	PS12P	CP001085	PSX12P	CP001103	
	245	182	19	PS12Q	CP001086	PSX12Q	CP001104	
	363	300	19	PS12R	CP001087	PSX12R	CP001105	

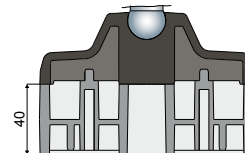
Spindle measures in inches				Spindle in zinc plated steel		Spindle in stainless steel AISI 304		Max static load (N)
ød	A	H	Wrench	Type	Code	Type	Code	
5/8"-11 UNC	9,29	7	1/2"	PS12S	CP001088	PSX12S	CP001106	25000
3/4"-10 UNC	9,37	7	5/8"	PS12T	CP001089	PSX12T	CP001107	27000

Base material: Reinforced polyamide black colour.  
Box quantity: 8 pieces.

Accessories

Anti-slip pads:

- code: 7633;
- material: soft PVC 68 shore black colour;
- box quantity: 8 pieces.



Spacers:

- code: 83410 (see pag. 210);
- material: Reinforced polyamide black colour;
- box quantity: 8 pieces.

Washers UNI 6592-69 - Box quantity: 24 pieces.

	ø d mm	17	21	25
	Smm	3	3	4
	ø A mm	30	37	44
	Zinc plated steel codes	7289	7290	7293
	Stainless steel codes	7291	7292	7294

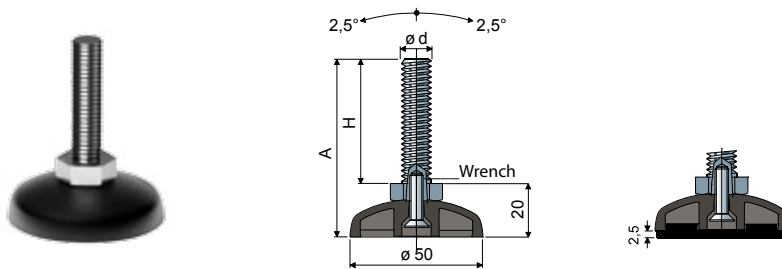
Nuts UNI 5588-65 - Box quantity: 24 pieces.

	ø d	M16	M20	M24
	Smm	13	16	19
	Ch. mm	24	30	36
	Zinc plated steel codes	7275	7276	7279
	Stainless steel codes	7277	7278	7280

On request

- Bases: In reinforced polypropylene • other colours • with prebored fixing holes.
- Spindles with: Sunk hexagon head • second wrench seat head • hexagon wrench seat • threads with other pitches and lengths.
- Box quantity: Not standard.
- Assembling of: Anti-slip pads • nuts • washers.

## Adjustable Feet (base in reinforced polyamide) ø 50 Type: PO 1 e POX 1



Accessories  
 Anti-slip pads:  
 - code: 7264;  
 - material: soft PVC 68 shore black colour;  
 - box quantity: 24 pieces.

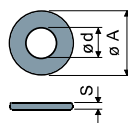
ø d	A (mm)	H (mm)	Wrench (mm)	Spindle in zinc plated steel		Spindle in stainless steel AISI 304		Max static load (N)
				Type	Code	Type	Code	
M10	60	40	17	PO1A	CP001108	POX1A	CP001112	12000
	65	45	17	PO1B	CP001109	POX1B	CP001113	
	90	70	17	PO1C	CP001110	POX1C	CP001114	
	120	100	17	PO1D	CP001111	POX1D	CP001115	

Base material: Reinforced polyamide black colour.  
 Box quantity: 24 pieces.

On request

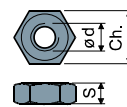
- Bases: In reinforced polypropylene • other colours.
- Spindles with: Threads with other pitches and lengths.
- Box quantity: Not standard.
- Assembling of: Anti-slip pads • nuts • washers.

Washers UNI 6592-69 - Box quantity: 24 pieces.



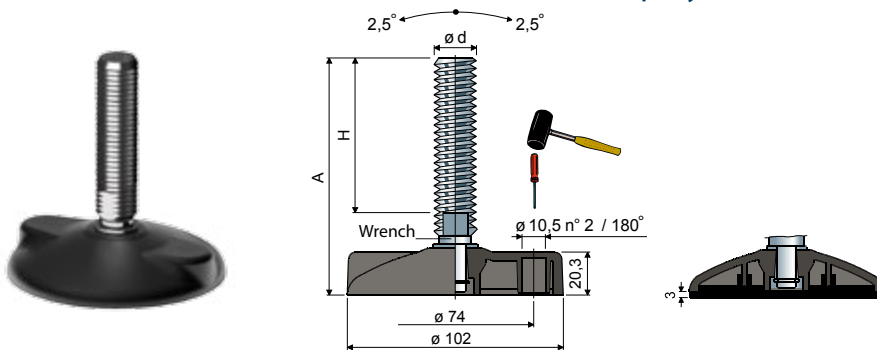
ø d mm	10,5
Smm	2
ø A mm	21
Zinc plated steel codes	7283
Stainless steel codes	7286

Nuts UNI 5588-65 - Box quantity: 24 pieces.



ø d	M10
Smm	8
Ch. mm	17
Zinc plated steel codes	7269
Stainless steel codes	7272

## Articulated feet (base in reinforced polyamide) ø 102 Type: PO 2 e POX 2

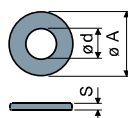


Accessories  
 Anti-slip pads:  
 - code: 7267;  
 - material: soft PVC 68 shore black colour;  
 - box quantity: 24 pieces.

ø d	A (mm)	H (mm)	Wrench (mm)	Spindle in zinc plated steel		Spindle in stainless steel AISI 304		Max static load (N)
				Type	Code	Type	Code	
M16	98	58	13	PO2A	CP001116	POX2A	CP001130	33000
	159	119	13	PO2B	CP001117	POX2B	CP001131	
	185	145	13	PO2C	CP001118	POX2C	CP001132	
	241	201	13	PO2D	CP001119	POX2D	CP001133	
M18	197	157	15	PO2E	CP001120	POX2E	CP001134	35000
	150	107	17	PO2F	CP001121	POX2F	CP001135	
M20	178	135	17	PO2G	CP001122	POX2G	CP001136	37000
	200	157	17	PO2H	CP001123	POX2H	CP001137	
	233	190	17	PO2I	CP001124	POX2I	CP001138	
	281	238	17	PO2L	CP001125	POX2L	CP001139	
M24	136	90	19	PO2M	CP001126	POX2M	CP001140	37000
	173	127	19	PO2N	CP001127	POX2N	CP001141	
	208	162	19	PO2O	CP001128	POX2O	CP001142	
	248	202	19	PO2P	CP001129	POX2P	CP001143	

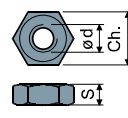
Base material: Reinforced polyamide black colour.  
 Box quantity: 24 pieces.

Washers UNI 6592-69 - Box quantity: 24 pieces.



ø d mm	17	21	25
Smm	3	3	4
ø A mm	30	37	44
Zinc plated steel codes	7289	7290	7293
Stainless steel codes	7291	7292	7294

Nuts UNI 5588-65 - Box quantity: 24 pieces.

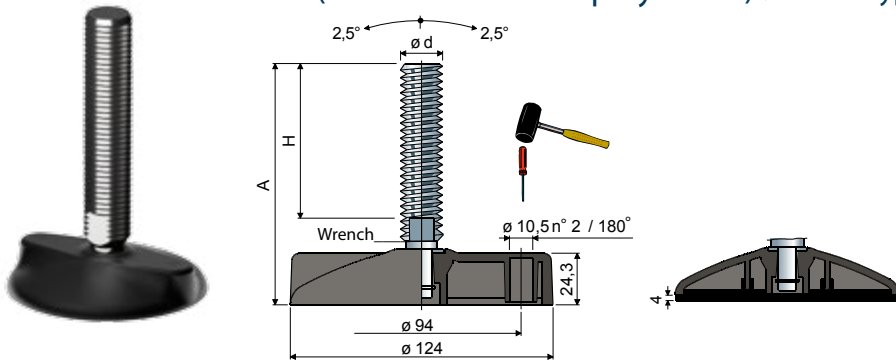


ø d	M16	M20	M24
Smm	13	16	19
Ch. mm	24	30	36
Zinc plated steel codes	7275	7276	7279
Stainless steel codes	7277	7278	7280

On request

- Bases: In reinforced polypropylene • other colours • with prebored fixing holes.
- Spindles with: Sunk hexagon head • second wrench seat head • hexagon wrench seat • threads with other pitches and lengths.
- Box quantity: Not standard.
- Assembling of: Anti-slip pads • nuts • washers.

**Articulated feet (base in reinforced polyamide) ø 124 Type: PO 3 e POX 3**



Accessories  
Anti-slip pads:  
- code: 7268;  
- material: soft PVC 68 shore black colour;  
- box quantity: 8 pieces.

ød	A (mm)	H (mm)	Wrench (mm)	Spindle in zinc plated steel		Spindle in stainless steel AISI 304		Max static load (N)
				Type	Code	Type	Code	
M16	100	58	13	PO3A	CP001144	POX3A	CP001160	43000
	161	119	13	PO3B	CP001145	POX3B	CP001161	
	187	145	13	PO3C	CP001146	POX3C	CP001162	
	243	201	13	PO3D	CP001147	POX3D	CP001163	
M18	199	157	15	PO3E	CP001148	POX3E	CP001164	45000
	152	107	17	PO3F	CP001149	POX3F	CP001165	
	180	135	17	PO3G	CP001150	POX3G	CP001166	
M20	202	157	17	PO3H	CP001151	POX3H	CP001167	47000
	235	190	17	PO3I	CP001152	POX3I	CP001168	
	283	238	17	PO3L	CP001153	POX3L	CP001169	
	138	90	19	PO3M	CP001154	POX3M	CP001170	
M24	175	127	19	PO3N	CP001155	POX3N	CP001171	50000
	210	162	19	PO3O	CP001156	POX3O	CP001172	
	250	202	19	PO3P	CP001157	POX3P	CP001173	
M30	173	125	24	PO3Q	CP001158	POX3P	CP001174	50000
	233	185	24	PO3R	CP001159	POX3P	CP001175	

Base material: Reinforced polyamide black colour.

Box quantity: 8 pieces.

Washers UNI 6592-69 - Box quantity: 24 pieces.

ø d mm	17	21	25	31
Smm	3	3	4	4
ø A mm	30	37	44	56
Zinc plated steel codes	7289	7290	7293	7295
Stainless steel codes	7291	7292	7294	7296

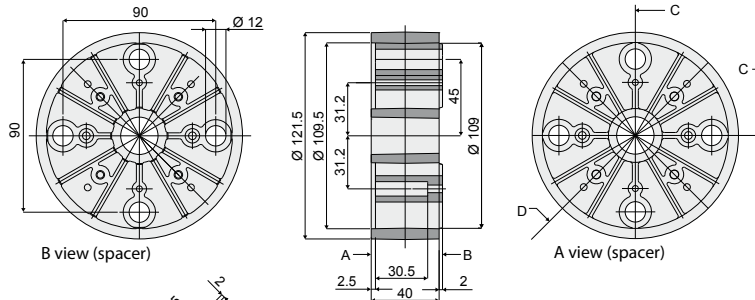
Nuts UNI 5588-65 - Box quantity: 24 pieces.

ø d	M16	M20	M24	M30
Smm	13	16	19	24
Ch. mm	24	30	36	46
Zinc plated steel codes	7275	7276	7279	7281
Stainless steel codes	7277	7278	7280	7282

On request

- Bases: In reinforced polypropylene • other colours • with prebored fixing holes.
- Spindles with: Sunk hexagon head • second wrench seat head • hexagon wrench seat • threads with other pitches and lengths.
- Box quantity: Not standard.
- Assembling of: Anti-slip pads • nuts • washers.

**Spacer (for PS 12, PO 4) Type: DT 1**



Type	Code
DT1	CP001176

MATERIALS: Spacer in reinforced polyamide black colour.

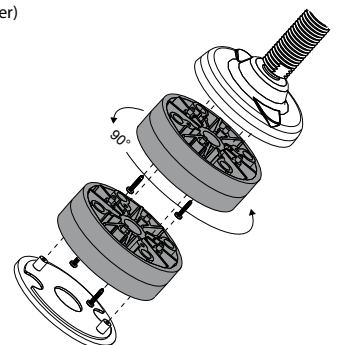
FEATURES: To be used with footplates part. 92 and 93 to increase the height of the footplates.

It is possible to assemble the anti-slip code 7633.

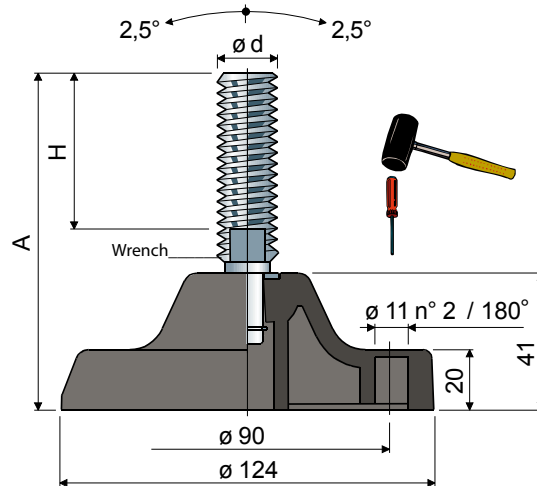
BOX QUANTITY: 8 pieces.

ON REQUEST:

- Box Quantity: According to your request.



Example of application

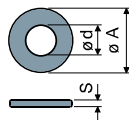
**Articulated feet (base in reinforced polyamide) ø 124 Type: PO 4 e POX 4**


ø d	A (mm)	H (mm)	Wrench (mm)	Spindle in zinc plated steel		Spindle in stainless steel AISI 304		Max static load (N)
				Type	Code	Type	Code	
M16	115	58	13	PO4A	CP001177	POX4A	CP001193	43000
	176	119	13	PO4B	CP001178	POX4B	CP001194	
	202	145	13	PO4C	CP001179	POX4C	CP001195	
	258	201	13	PO4D	CP001180	POX4D	CP001196	
M18	214	157	15	PO4E	CP001181	POX4E	CP001197	45000
	167	107	17	PO4F	CP001182	POX4F	CP001198	
	195	135	17	PO4G	CP001183	POX4G	CP001199	
M20	217	157	17	PO4H	CP001184	POX4H	CP001200	45000
	250	190	17	PO4I	CP001185	POX4I	CP001201	
	298	238	17	PO4L	CP001186	POX4L	CP001202	
	153	90	19	PO4M	CP001187	POX4M	CP001203	
M24	190	127	19	PO4N	CP001188	POX4N	CP001204	47000
	225	162	19	PO4O	CP001189	POX4O	CP001205	
	265	202	19	PO4P	CP001190	POX4P	CP001206	
	188	125	24	PO4Q	CP001191	POX4Q	CP001207	
M30	248	185	24	PO4R	CP001192	POX4R	CP001208	50000

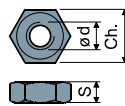
Base material: Reinforced polyamide black colour.  
Box quantity: 8 pieces.

**Accessories**
**Anti-slip pads:**

- code: 7633;
- material: soft PVC 68 shore black colour;
- box quantity: 8 pieces.


**Washers UNI 6592-69 - Box quantity: 24 pieces.**


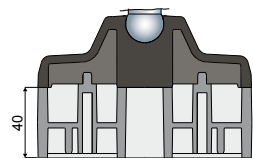
ø d mm	17	21	25	31
Smm	3	3	4	4
ø A mm	30	37	44	56
Zinc plated steel codes	7289	7290	7293	7295
Stainless steel codes	7291	7292	7294	7296

**Nuts UNI 5588-65 - Box quantity: 24 pieces.**


ø d	M16	M20	M24	M30
Smm	13	16	19	24
Ch. mm	24	30	36	46
Zinc plated steel codes	7275	7276	7279	7281
Stainless steel codes	7277	7278	7280	7282

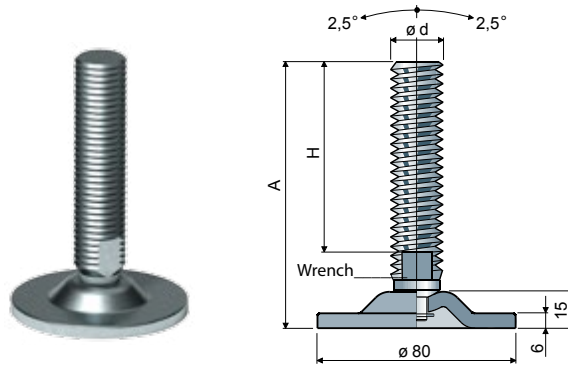
**Spacers:**

- code: 83410 (see pag. 210);
- material: Reinforced polyamide black colour;
- box quantity: 8 pieces.


**On request**

- Bases: In reinforced polypropylene • other colours • with prebored fixing holes.
- Spindles with: Sunk hexagon head • second wrench seat head • hexagon wrench seat • threads with other pitches and lengths.
- Box quantity: Not standard.
- Assembling of: Anti-slip pads • nuts • washers.

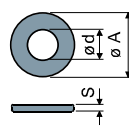
**Adjustable feet (base in steel) ø 80 Type: PO5**



ød	A (mm)	H (mm)	Wrench (mm)	Spindle in zinc plated steel		Max static load (N)
				Type	Code	
M20	120	87	17	PO5A	CP001209	40000
M24	120	85	19	PO5A	CP001210	

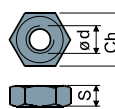
Material: Base and spindle in zinc-plated steel.  
Box quantity: 8 pieces.

Washers UNI 6592-69 - Box quantity: 24 pieces.



ø d mm	21	25
S mm	3	4
ø A mm	37	44
Zinc plated steel codes	7290	7293

Nuts UNI 5588-65 - Box quantity: 24 pieces.

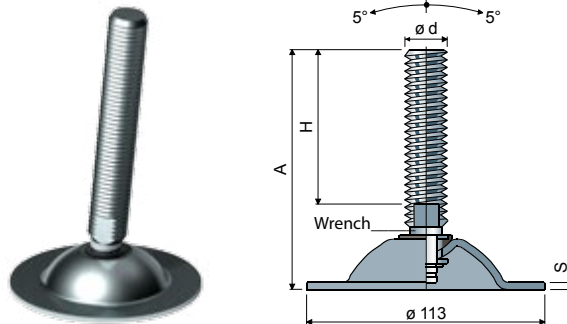


ø d	M20	M24
S mm	16	19
Ch. mm	30	36
Zinc plated steel codes	7276	7279

On request

- Spindles with: Sunk hexagon head • second wrench seat head • hexagon wrench seat • threads with other pitches and lengths.
- Box quantity: Not standard.
- Assembling of: Nuts • washers.

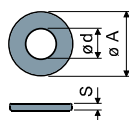
**Adjustable feet (base in steel) ø 113 Type: PO 6 e POX 6**



ød	A (mm)	H (mm)	Wrench (mm)	Spindle, base in zinc plated steel		Spindle, base in stainless steel AISI 304		Max static load (N)	
				Type	Code	Type	Code		
M16	100	58	13	PO6A	CP001211	POX6A	CP001227	15000 (zinc plated) S = 3,5	
	161	119	13	PO6B	CP001212	POX6B	CP001228		
	187	145	13	PO6C	CP001213	POX6C	CP001229		
	243	201	13	PO6D	CP001214	POX6D	CP001230		
M18	199	157	15	PO6E	CP001215	POX6E	CP001231		
	152	107	17	PO6F	CP001216	POX6F	CP001232		
	180	135	17	PO6G	CP001217	POX6G	CP001233		
M20	202	157	17	PO6H	CP001218	POX6H	CP001234		10000 (AISI 304) S = 3
	235	190	17	PO6I	CP001219	POX6I	CP001235		
	283	238	17	PO6L	CP001220	POX6L	CP001236		
	138	90	19	PO6M	CP001221	POX6M	CP001237		
M24	175	127	19	PO6N	CP001222	POX6N	CP001238		
	210	162	19	PO6O	CP001223	POX6O	CP001239		
	250	202	19	PO6P	CP001224	POX6P	CP001240		
M30	173	125	24	PO6Q	CP001225	POX6Q	CP001241		
	233	185	24	PO6R	CP001226	POX6R	CP001242		

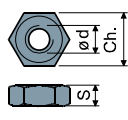
Box quantity: 8 pieces.

Washers UNI 6592-69 - Box quantity: 24 pieces.



ø d mm	17	21	25	31
S mm	3	3	4	4
ø A mm	30	37	44	56
Zinc plated steel codes	7289	7290	7293	7295
Stainless steel codes	7291	7292	7294	7296

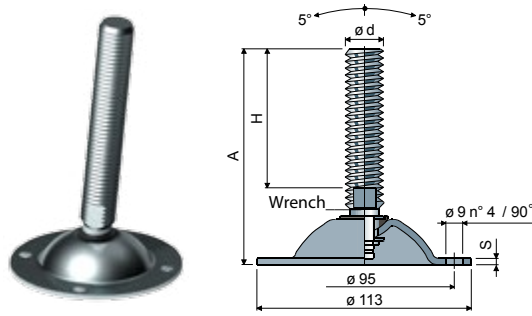
Nuts UNI 5588-65 - Box quantity: 24 pieces.



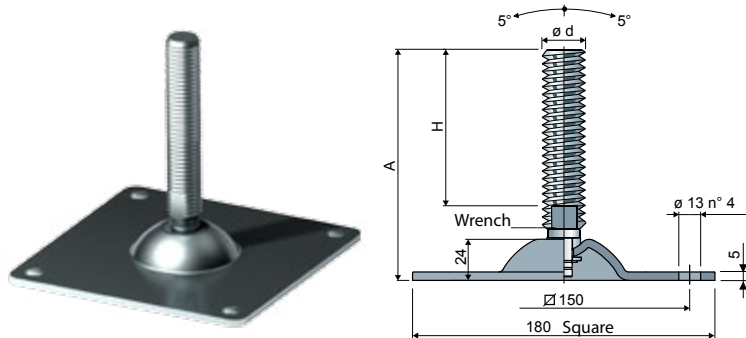
ø d	M16	M20	M24	M30
S mm	13	16	19	24
Ch. mm	24	30	36	46
Zinc plated steel codes	7275	7276	7279	7281
Stainless steel codes	7277	7278	7280	7282

On request

- Spindles with: Sunk hexagon head • second wrench seat head • hexagon wrench seat • threads with other pitches and lengths.
- Box quantity: Not standard.
- Assembling of: Nuts • washers.

**Adjustable feet (base in steel) ø 113 Type: PO 7 e POX 7**


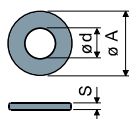
ø d	A (mm)	H (mm)	Wrench (mm)	Spindle, base in zinc plated steel		Spindle, base in stainless steel AISI 304		Max static load (N)
				Type	Code	Type	Code	
M16	100	58	13	PO7A	CP001243	POX7A	CP001259	15000 (zinc plated) S = 3,5
	161	119	13	PO7B	CP001244	POX7B	CP001260	
	187	145	13	PO7C	CP001245	POX7C	CP001261	
	243	201	13	PO7D	CP001246	POX7D	CP001262	
M18	199	157	15	PO7E	CP001247	POX7E	CP001263	
	152	107	17	PO7F	CP001248	POX7F	CP001264	
	180	135	17	PO7G	CP001249	POX7G	CP001265	
M20	202	157	17	PO7H	CP001250	POX7H	CP001266	
	235	190	17	PO7I	CP001251	POX7I	CP001267	
	283	238	17	PO7L	CP001252	POX7L	CP001268	
	138	90	19	PO7M	CP001253	POX7M	CP001269	
M24	175	127	19	PO7N	CP001254	POX7N	CP001270	
	210	162	19	PO7O	CP001255	POX7O	CP001271	
	250	202	19	PO7P	CP001256	POX7P	CP001272	
	173	125	24	PO7Q	CP001257	POX7Q	CP001273	
M30	233	185	24	PO7R	CP001258	POX7R	CP001274	

**Adjustable feet (base in zinc plated steel) 180 Type: PO 8**


ø d	A (mm)	H (mm)	Wrench (mm)	Spindle and base in zinc plated steel		Max static load (N)
				Type	Code	
M16	100	57	13	PO8A	CP001275	45000
	161	118	13	PO8B	CP001276	
	187	144	13	PO8C	CP001277	
	243	200	13	PO8D	CP001278	
M18	199	157	15	PO8E	CP001279	46000
	152	107	17	PO8F	CP001280	
	181	136	17	PO8G	CP001281	
M20	202	157	17	PO8H	CP001282	47000
	235	190	17	PO8I	CP001283	
	283	238	17	PO8L	CP001284	
	138	90	19	PO8M	CP001285	
M24	175	127	19	PO8N	CP001286	48000
	210	162	19	PO8O	CP001287	
	250	202	19	PO8P	CP001288	
	173	125	24	PO8Q	CP001289	
M30	233	185	24	PO8R	CP001290	49000

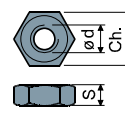
**On request**

- Spindles with: Sunk hexagon head
- second wrench seat head • hexagon wrench seat • threads with other pitches and lengths.
- Box quantity: Not standard.
- Assembling of: Nuts • washers.

**Washers UNI 6592-69 - Box quantity: 24 pieces.**


ø d mm	17	21	25	31
S mm	3	3	4	4
ø A mm	30	37	44	56
Zinc plated steel codes	7289	7290	7293	7295
Stainless steel codes	7291	7292	7294	7296

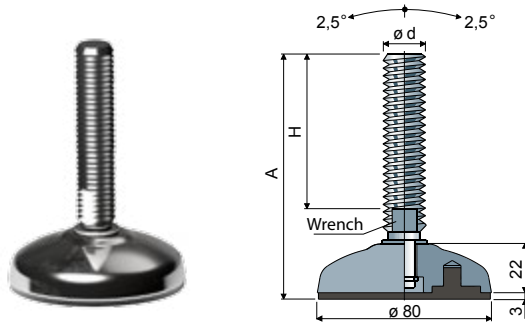
Box quantity: 8 pieces.

**Nuts UNI 5588-65 - Box quantity: 24 pieces.**


ø d	M16	M20	M24	M30
S mm	13	16	19	24
Ch. mm	24	30	36	46
Zinc plated steel codes	7275	7276	7279	7281
Stainless steel codes	7277	7278	7280	7282

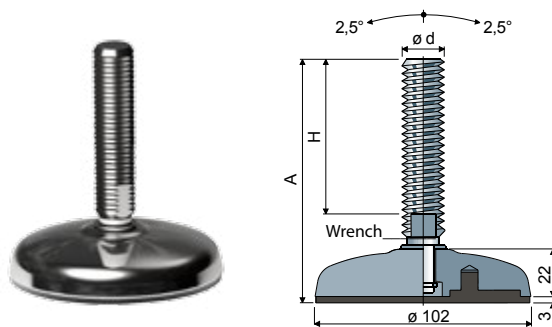


Adjustable feet (base in nickel plated steel)  $\varnothing 80$  Type: PO 9 e POX 9



$\varnothing d$	A (mm)	H (mm)	Wrench (mm)	Spindle in zinc plated steel		Spindle in stainless steel AISI 304		Max static load (N)
				Type	Code	Type	Code	
M16	101	58	13	PO9A	CP001291	POX9A	CP001305	46000
	162	119	13	PO9B	CP001292	POX9B	CP001306	
	188	145	13	PO9C	CP001293	POX9C	CP001307	
	244	201	13	PO9D	CP001294	POX9D	CP001308	
M18	200	157	15	PO9E	CP001295	POX9E	CP001309	
	153	107	17	PO9F	CP001296	POX9F	CP001310	
	181	135	17	PO9G	CP001297	POX9G	CP001311	
M20	203	157	17	PO9H	CP001298	POX9H	CP001312	47000
	236	190	17	PO9I	CP001299	POX9I	CP001313	
	284	238	17	PO9L	CP001300	POX9L	CP001314	
	139	90	19	PO9M	CP001301	POX9M	CP001315	
M24	176	127	19	PO9N	CP001302	POX9N	CP001316	48000
	211	162	19	PO9O	CP000303	POX9O	CP001317	
	250	202	19	PO9P	CP001304	POX9P	CP001318	

Adjustable feet (base in nickel plated steel)  $\varnothing 102$  Type: PO 10 e POX 10



$\varnothing d$	A (mm)	H (mm)	Wrench (mm)	Spindle in zinc plated steel		Spindle in stainless steel AISI 304		Max static load (N)
				Type	Code	Type	Code	
M16	101	58	13	PO10A	CP001319	POX10A	CP001333	50000
	162	119	13	PO10B	CP001320	POX10B	CP001334	
	188	145	13	PO10C	CP001321	POX10C	CP001335	
	244	201	13	PO10D	CP001322	POX10D	CP001336	
M18	200	157	15	PO10E	CP001323	POX10E	CP001337	
	153	107	17	PO10F	CP001324	POX10F	CP001338	
	181	135	17	PO10G	CP001325	POX10G	CP001339	
M20	203	157	17	PO10H	CP001326	POX10H	CP001340	51000
	236	190	17	PO10I	CP001327	POX10I	CP001341	
	284	238	17	PO10L	CP001328	POX10L	CP001342	
	139	90	19	PO10M	CP001329	POX10M	CP001343	
M24	176	127	19	PO10N	CP001330	POX10n	CP001344	52000
	211	162	19	PO10O	CP000331	POX10O	CP001345	
	250	202	19	PO10P	CP001332	POX10P	CP001346	

Base material: Nickel plated steel.

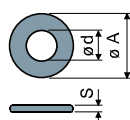
Box quantity: 8 pieces.

Features: The feet are complete with anti-slip pad made out of soft PVC 68 shore black colour .

On request

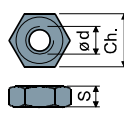
- Spindles with: Sunk hexagon head • second wrench seat head • hexagon wrench seat
- threads with other pitches and lengths.
- Box quantity: Not standard.
- Assembling of: Nuts • washers.

Washers UNI 6592-69 - Box quantity: 24 pieces.



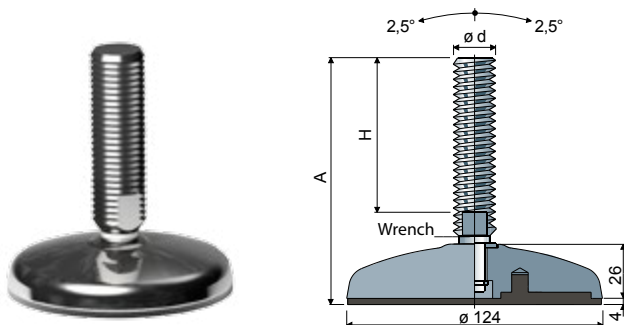
$\varnothing d$ mm	17	21	25
Smm	3	3	4
$\varnothing A$ mm	30	37	44
Zinc plated steel codes	7289	7290	7293
Stainless steel codes	7291	7292	7294

Nuts UNI 5588-65 - Box quantity: 24 pieces.



$\varnothing d$	M16	M20	M24
Smm	13	16	19
Ch. mm	24	30	36
Zinc plated steel codes	7275	7276	7279
Stainless steel codes	7277	7278	7280

## Adjustable feet (base in nickel plated steel) $\varnothing$ 124 Type: PO 11 e POX 11



Washers UNI 6592-69 - Box quantity: 24 pieces.

$\varnothing d$ mm	17	21	25	31
Smm	3	3	4	4
$\varnothing A$ mm	30	37	44	56
Zinc plated steel codes	7289	7290	7293	7295
Stainless steel codes	7291	7292	7294	7296

Nuts UNI 5588-65 - Box quantity: 24 pieces.

$\varnothing d$	M16	M20	M24	M30
Smm	13	16	19	24
Ch. mm	24	30	36	46
Zinc plated steel codes	7275	7276	7279	7281
Stainless steel codes	7277	7278	7280	7282

$\varnothing d$	A H			Spindle in zinc plated steel		Spindle in stainless steel AISI 304		Max static load (N)
	(mm)	(mm)	(mm)	Type	Code	Type	Code	
M16	104	58	13	PO11A	CP001347	POX11A	CP001363	55000
	165	119	13	PO11A	CP001348	POX11A	CP001364	
	191	145	13	PO11A	CP001349	POX11A	CP001365	
	247	201	13	PO11A	CP001350	POX11A	CP001366	
M18	203	157	15	PO11A	CP001351	POX11A	CP001367	56000
	156	107	17	PO11A	CP001352	POX11A	CP001368	
	184	135	17	PO11A	CP001353	POX11A	CP001369	
	206	157	17	PO11A	CP001354	POX11A	CP001370	
M20	239	190	17	PO11A	CP001355	POX11A	CP001371	57000
	287	238	17	PO11A	CP001356	POX11A	CP001372	
	142	90	19	PO11A	CP001357	POX11A	CP001373	
	179	127	19	PO11A	CP001358	POX11A	CP001374	
M24	214	162	19	PO11A	CP001359	POX11A	CP001375	58000
	254	202	19	PO11A	CP001360	POX11A	CP001376	
	177	125	24	PO11A	CP001361	POX11A	CP001377	
M30	237	185	24	PO11A	CP001362	POX11A	CP001378	58000

Base material: Nickel plated steel.

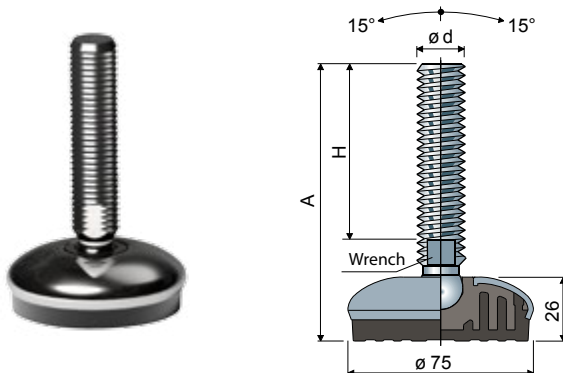
Box quantity: 8 pieces.

Features: The feet are complete with anti-slip pad made out of soft PVC 68 shore black colour .

On request

- Spindles with: Sunk hexagon head • second wrench seat head • hexagon wrench seat • threads with other pitches and lengths.
- Box quantity: Not standard.
- Assembling of: Nuts • washers.

## Articulated feet (base in stainless steel) $\varnothing$ 75 Type: PO 12



Washers UNI 6592-69 - Box quantity: 24 pieces.

$\varnothing d$ mm	17	21	25
Smm	3	3	4
$\varnothing A$ mm	30	37	44
Stainless steel codes	7291	7292	7294

Nuts UNI 5588-65 - Box quantity: 24 pieces.

$\varnothing d$	M16	M20	M24
Smm	13	16	19
Ch. mm	24	30	36
Stainless steel codes	7277	7278	7280

Spindle measures in mm and inches							
$\varnothing d$	A	H	Wrench	Spindle in stainless steel AISI 304		Max static load (N)	
				Type	Code		
M16	103	60	13	PO12A	CP001379	19000	
	133	90	13	PO12B	CP001380		
	148	105	13	PO12C	CP001381		
	168	125	13	PO12D	CP001382		
	198	155	13	PO12E	CP001383		
	208	165	13	PO12F	CP001384		
	248	205	13	PO12G	CP001385		
M20	132	86	17	PO12H	CP001386	21000	
	162	116	17	PO12I	CP001387		
	187	141	17	PO12L	CP001388		
	252	206	17	PO12M	CP001389		
	142	96	19	PO12N	CP001390		
M24	168	122	19	PO12O	CP001391	23000	
	198	152	19	PO12P	CP001392		
	228	182	19	PO12Q	CP001393		
	346	300	19	PO12R	CP001394		
5/8"-11 UNC	8.70	7	1/2"	PO12S	CP001395	19000	
3/4"-10 UNC	8.78	7	5/8"	PO12T	CP001396	21000	

Material: Internal part made of reinforced polyamide; external covering made of stainless steel AISI 304; anti-slip pad made of soft PVC 68 shore black colour.

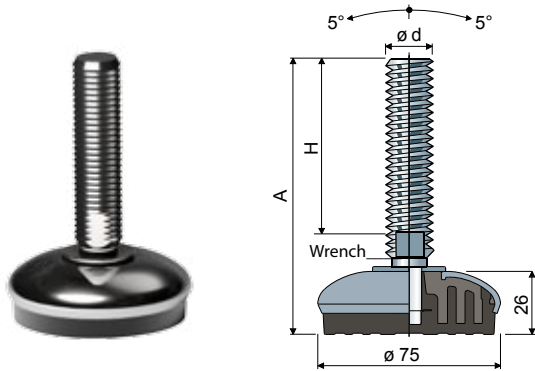
Box quantity: 8 pieces.

Features: Comoulded anti-slip pad allows a perfect adherence with steel base. Consequent absence of internal cavities makes foot extremely cleanable.

On request

- Spindles with: Sunk hexagon head • second wrench seat head • hexagon wrench seat • threads with other pitches and lengths.
- Box quantity: Not standard.
- Assembling of: Nuts • washers.

**Adjustable feet (base in stainless steel) ø75 Type: PO 13**



Washers UNI 6592-69 - Box quantity: 24 pieces.

ø d mm	13	15	17	21	25	31
Smm	2,5	2,5	3	3	4	4
ø A mm	24	28	30	37	44	56
Stainless steel codes	7287	7288	7291	7292	7294	7296

Nuts UNI 5588-65 - Box quantity: 24 pieces.

ø d	M12	M14	M16	M20	M24	M30
Smm	10	11	13	16	19	24
Ch. mm	19	22	24	30	36	46
Stainless steel codes	7273	7274	7277	7278	7280	7282

ød	A (mm)	H (mm)	Wrench (mm)	Spindle and base in stainless steel AISI 304		Max static load (N)	
				Type	Code		
M12	109	70	10	PO13A	CP001397	17000	
M14	148	108	12	PO13B	CP001398		
	102	58	13	PO13C	CP001399		
	163	119	13	PO13D	CP001400		
M16	189	145	13	PO13E	CP001401		
	245	201	13	PO13F	CP001402		
M18	201	157	15	PO13G	CP001403		24000
	153	107	17	PO13H	CP001404		
	181	135	17	PO13I	CP001405		
M20	203	157	17	PO13L	CP001406		
	236	190	17	PO13M	CP001407		
	284	238	17	PO13N	CP001408		
M24	139	90	19	PO13O	CP001409		
	176	127	19	PO13P	CP001410		
	211	162	19	PO13Q	CP001411		
M30	250	201	19	PO13R	CP001412		
	174	125	24	PO13S	CP001413		
	234	185	24	PO13T	CP001414		

Material: Internal part made of reinforced polyamide; external covering made of stainless steel AISI 304; anti-slip pad made of soft PVC 68 shore black colour.

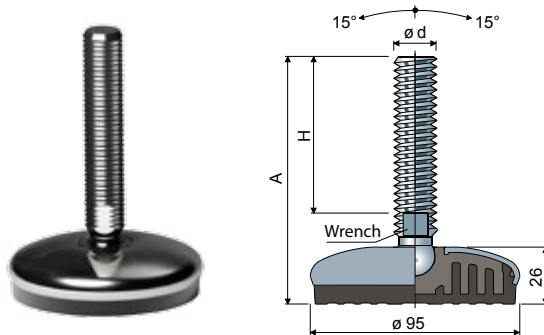
Box quantity: 8 pieces.

Features: Comoulded anti-slip pad allows a perfect adherence with steel base. Consequent absence of internal cavities makes foot extremely cleanable.

On request

- Spindles with: Sunk hexagon head • second wrench seat head • hexagon wrench seat • threads with other pitches and lengths.
- Box quantity: Not standard.
- Assembling of: Nuts • washers.

**Articulated feet (base in stainless steel) ø 95 Type: PO 14**



Washers UNI 6592-69 - Box quantity: 24 pieces.

ø d mm	17	21	25
Smm	3	3	4
ø A mm	30	37	44
Stainless steel codes	7291	7292	7294

Nuts UNI 5588-65 - Box quantity: 24 pieces.

ø d	M16	M20	M24
Smm	13	16	19
Ch. mm	24	30	36
Stainless steel codes	7277	7278	7280

ød	A (mm)	H (mm)	Wrench (mm)	Spindle and base in stainless steel AISI 304		Max static load (N)
				Type	Code	
M16	103	60	13	PO14A	CP001415	22000
	133	90	13	PO14B	CP001416	
	148	105	13	PO14C	CP001417	
	168	125	13	PO14D	CP001418	
	198	155	13	PO14E	CP001419	
	208	165	13	PO14F	CP001420	
	248	205	13	PO14G	CP001421	
M20	132	86	17	PO14H	CP001422	24000
	162	116	17	PO14I	CP001423	
	187	141	17	PO14L	CP001424	
M24	252	206	17	PO14M	CP001425	26000
	142	96	19	PO14N	CP001422	
	168	122	19	PO14O	CP001427	
	198	152	19	PO14P	CP001428	
	228	182	19	PO14Q	CP001429	
	346	300	19	PO14R	CP001430	
5/8"-11 UNC	8,70	7	1/2"	PO14S	CP001431	18000
3/4"-10 UNC	8,78	7	5/2"	PO14T	CP001432	22000

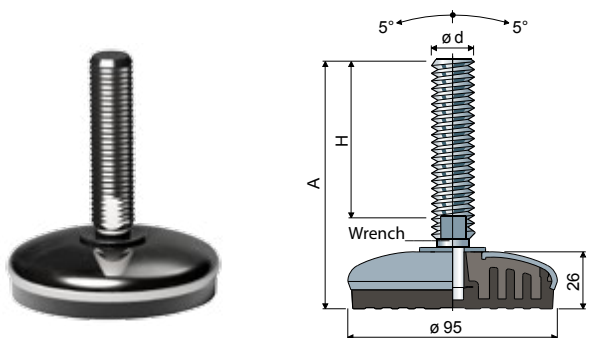
Material: Internal part made of reinforced polyamide; external covering made of stainless steel AISI 304; anti-slip pad made of soft PVC 68 shore black colour.

Box quantity: 8 pieces.

Features: Comoulded anti-slip pad allows a perfect adherence with steel base. Consequent absence of internal cavities makes foot extremely cleanable.

On request

- Spindles with: Sunk hexagon head • second wrench seat head • hexagon wrench seat • threads with other pitches and lengths.
- Box quantity: Not standard.
- Assembling of: Nuts • washers.

**Adjustable feet (base in stainless steel) ø 95 Type: PO 15**

**Washers UNI 6592-69 - Box quantity: 24 pieces.**

ø d mm	13	15	17	21	25	31
Smm	2,5	2,5	3	3	4	4
ø Amm	24	28	30	37	44	56
Stainless steel codes	7287	7288	7291	7292	7294	7296

**Nuts UNI 5588-65 - Box quantity: 24 pieces.**

ø d	M12	M14	M16	M20	M24	M30
Smm	10	11	13	16	19	24
Ch. mm	19	22	24	30	36	46
Stainless steel codes	7273	7274	7277	7278	7280	7282

ø d	A (mm)	H (mm)	Wrench (mm)	Spindle and base in stainless steel AISI 304		Max static load (N)	
				Type	Code		
M12	109	70	10	PO15A	CP001433	17000	
M14	148	108	12	PO15B	CP001434		
	102	58	13	PO15C	CP001435		
M16	163	119	13	PO15D	CP001436		
	189	145	13	PO15E	CP001437		
M18	245	201	13	PO15F	CP001438		
	201	157	15	PO15G	CP001439		
	153	107	17	PO15H	CP001440		
M20	181	135	17	PO15I	CP001441		27000
	203	157	17	PO15L	CP001442		
	236	190	17	PO15M	CP001443		
	284	238	17	PO15N	CP001444		
M24	139	90	19	PO15O	CP001445	27000	
	176	127	19	PO15P	CP001446		
	211	162	19	PO15Q	CP001447		
	250	201	19	PO15R	CP001448		
M30	174	125	24	PO15S	CP001449	27000	
	234	185	24	PO13T	CP001450		

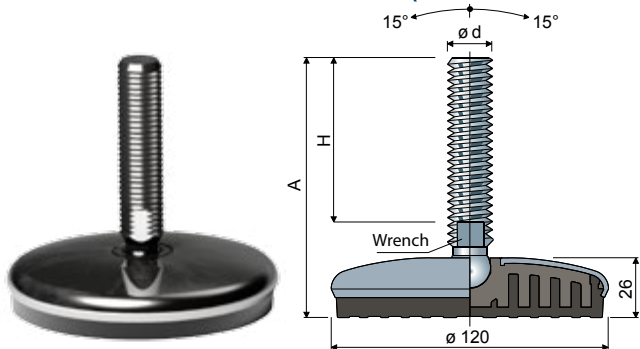
Material: Internal part made of reinforced polyamide; external covering made of stainless steel AISI 304; anti-slip pad made of soft PVC 68 shore black colour.

Box quantity: 8 pieces.

Features: Comoulded anti-slip pad allows a perfect adherence with steel base. Consequent absence of internal cavities makes foot extremely cleanable.

On request

- Spindles with: Sunk hexagon head • second wrench seat head • hexagon wrench seat • threads with other pitches and lengths.
- Box quantity: Not standard.
- Assembling of: Nuts • washers.

**Articulated feet (base in stainless steel) ø 120 Type: PO 16**

**Washers UNI 6592-69 - Box quantity: 24 pieces.**

ø d mm	17	21	25
Smm	3	3	4
ø Amm	30	37	44
Stainless steel codes	7291	7292	7294

**Nuts UNI 5588-65 - Box quantity: 24 pieces.**

ø d	M16	M20	M24
Smm	13	16	19
Ch. mm	24	30	36
Stainless steel codes	7277	7278	7280

Spindle measures in mm and inches						
ø d	A (mm)	H (mm)	Wrench (mm)	Spindle and base in stainless steel AISI 304		Max static load (N)
				Type	Code	
M16	103	60	13	PO16A	CP001451	25000
	133	90	13	PO16B	CP001452	
	148	105	13	PO16C	CP001453	
	168	125	13	PO16D	CP001454	
	198	155	13	PO16E	CP001455	
	208	165	13	PO16F	CP001456	
M20	248	205	13	PO16G	CP001457	27000
	132	86	17	PO16H	CP001458	
	162	116	17	PO16I	CP001459	
	187	141	17	PO16L	CP001460	
M24	252	206	17	PO16M	CP001461	29000
	142	96	19	PO15N	CP001462	
	168	122	19	PO16O	CP001463	
	198	152	19	PO16P	CP001464	
	228	182	19	PO16Q	CP001465	
346	300	19	PO16R	CP001466		
5/8"-11 UNC	8,70	7	1/2"	PO16S	CP001467	25000
3/4"-10 UNC	8,78	7	5/8"	PO16T	CP001468	27000

Material: Internal part made of reinforced polyamide; external covering made of stainless steel AISI 304; anti-slip pad made of soft PVC 68 shore black colour.

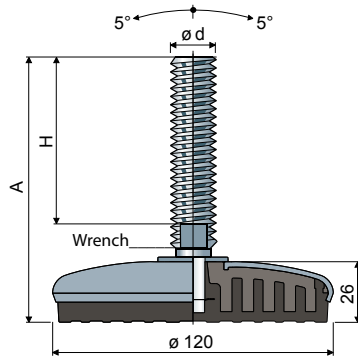
Box quantity: 8 pieces.

Features: Comoulded anti-slip pad allows a perfect adherence with steel base. Consequent absence of internal cavities makes foot extremely cleanable.

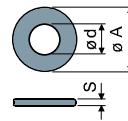
On request

- Spindles with: Sunk hexagon head • second wrench seat head • hexagon wrench seat • threads with other pitches and lengths.
- Box quantity: Not standard.
- Assembling of: Nuts • washers.

**Adjustable feet (base in stainless steel) ø 120 Type: PO 17**

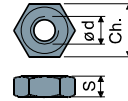


Washers UNI 6592-69 - Box quantity: 24 pieces.



ø d mm	13	15	17	21	25	31
Smm	2,5	2,5	3	3	4	4
ø A mm	24	28	30	37	44	56
Stainless steel codes	7287	7288	7291	7292	7294	7296

Nuts UNI 5588-65 - Box quantity: 24 pieces.



ø d	M12	M14	M16	M20	M24	M30
Smm	10	11	13	16	19	24
Ch. mm	19	22	24	30	36	46
Stainless steel codes	7273	7274	7277	7278	7280	7282

ød	A (mm)	H (mm)	Wrench (mm)	Spindle and base in stainless steel AISI 304		Max static load (N)	
				Type	Code		
M12	109	70	10	PO17A	CP001469	17000	
M14	148	108	12	PO17B	CP001470		
M16	102	58	13	PO17C	CP001471		
	163	119	13	PO17D	CP001472		
	189	145	13	PO17E	CP001473		
	245	201	13	PO17F	CP001474		
M18	201	157	15	PO17G	CP001475		30000
	153	107	17	PO17H	CP001476		
	181	135	17	PO17I	CP001477		
	203	157	17	PO17L	CP001478		
M20	236	190	17	PO17M	CP001479		
	284	238	17	PO17N	CP001480		
	139	90	19	PO17O	CP001481		
	176	127	19	PO17P	CP001482		
M24	211	162	19	PO17Q	CP001483		
	250	201	19	PO17R	CP001484		
	174	125	24	PO17S	CP001485		
M30	234	185	24	PO17T	CP001486		

Material: Internal part made of reinforced polyamide; external covering made of stainless steel AISI 304; anti-slip pad made of soft PVC 68 shore black colour.

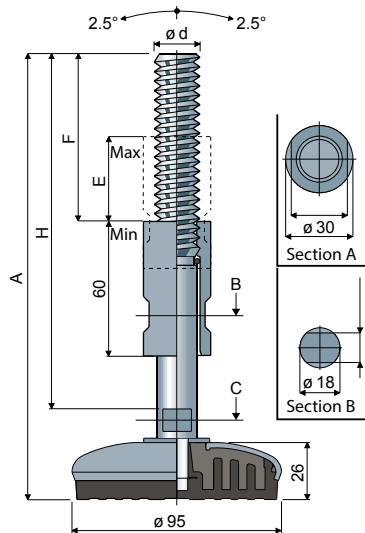
Box quantity: 8 pieces.

Features: Comoulded anti-slip pad allows a perfect adherence with steel base. Consequent absence of internal cavities makes foot extremely cleanable.

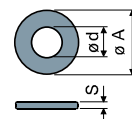
On request

- Spindles with: Sunk hexagon head • second wrench seat head • hexagon wrench seat • threads with other pitches and lengths.
- Box quantity: Not standard.
- Assembling of: Nuts • washers.

**Adjustable feet (base in stainless steel) ø 95 Type: PO 18**

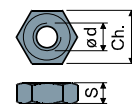


Washers UNI 6592-69 - Box quantity: 24 pieces.



ø d mm	21
Smm	3
ø A mm	37
Stainless steel codes	7292

Nuts UNI 5588-65 - Box quantity: 24 pieces.



ø d	M20
Smm	16
Ch. mm	30
Stainless steel codes	7278

ød	A (mm)	H (mm)	F (mm)	E (mm)	Wrench 1 (mm)	Wrench 2 (mm)	Spindle, base in stainless steel AISI 304		Max static load (N)
							Type	Code	
M20	200	159	73	39	25	13	PO18	CP001487	27000

Material: Internal part made of reinforced polyamide; external covering made of stainless steel AISI 304; anti-slip pad made of soft PVC 68 Shore black colour.

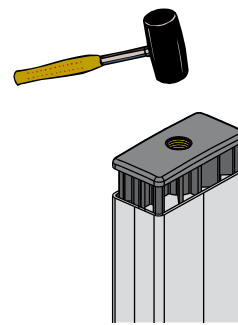
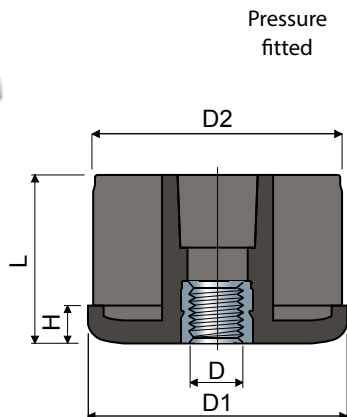
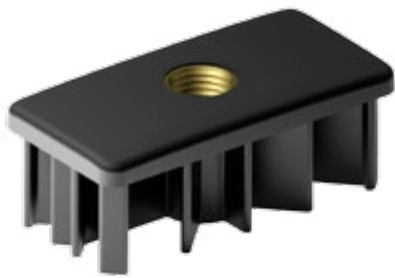
Box quantity: 8 pieces.

Features: Comoulded anti-slip pad allows a perfect adherence with steel base. Consequent absence of internal cavities makes foot extremely cleanable. The threaded insert guarantees the protection of the spindle thread.

On request

- Spindles with: Sunk hexagon head, second wrench seat head, hexagon wrench seat, threads with other pitches and lengths.
- Box quantity: According to your request. • Assembling of: Nuts • washers.

## Threaded bushing (for rectangular tubes) Type: TP1



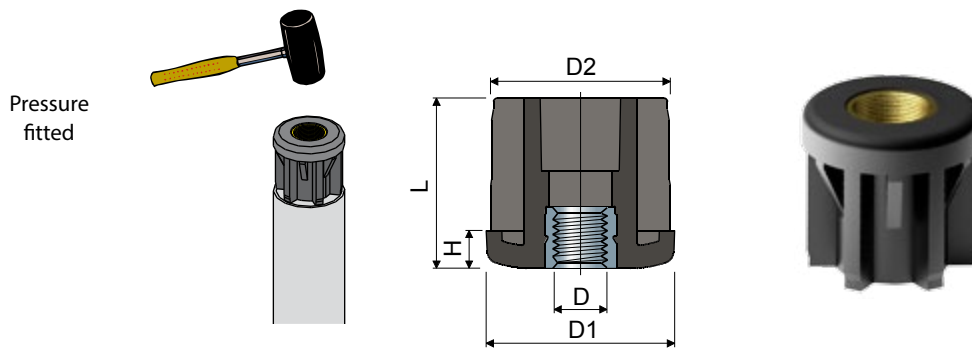
Tube dimensions								Type	Code	Max static load
Outside (mm)	Thickness (mm)	Inside (mm)	Thread D	D1 (mm)	D2 (mm)	H (mm)	L (mm)			
20x50	2	16x46	M8	20x50	16x46	5	38	TP1A	CP001488	4500
			M8	30x60	25x55	8	38	TP1B	CP001489	4500
30x60	2,5	25x55	M10	30x60	25x55	8	38	TP1C	CP001490	5000
			M12	30x60	25x55	8	38	TP1D	CP001491	5500
			M14	30x60	25x55	8	38	TP1E	CP001492	6000
			M16	30x60	25x55	8	38	TP1F	CP001493	6500
			M14	40x80	36x76	10	45	TP1G	CP001494	9000
40x80	2	36x76	M16	40x80	36x76	10	45	TP1H	CP001495	9000
			M20	40x80	36x76	10	45	TP1I	CP001496	9500
	3	34x74	M14	40x80	34x74	10	45	TP1L	CP001497	9000
			M16	40x80	34x74	10	45	TP1M	CP001498	9000
50x100	2	46x96	M20	40x80	34x74	10	45	TP1N	CP001499	9500
			M14	50x100	46x96	10	45	TP1O	CP001500	9000
			M16	50x100	46x96	10	45	TP1P	CP001501	9000
	3	44x94	M20	50x100	46x96	10	45	TP1Q	CP001502	9500
			M14	50x100	44x94	10	45	TP1R	CP001503	9000
			M16	50x100	44x94	10	45	TP1S	CP001504	9000
50x150	3	44x144	M20	50x100	44x94	10	45	TP1T	CP001505	9500
			M14	50x150	44x144	10	45	TP1U	CP001506	9000
			M16	50x150	44x144	10	45	TP1V	CP001507	9000
60x120	3	54x114	M20	50x150	44x144	10	45	TP1Z	CP001508	9500
			M14	60x120	54x114	10	45	TP1W	CP001509	9000
			M16	60x120	54x114	10	45	TP1X	CP001510	9000
			M20	60x120	54x114	10	45	TP1Y	CP001511	9500

Material: Bush in reinforced polyamide black colour; threaded insert in brass.  
Box quantity: 24 pieces.

### On request

- Bushes: Can be supplied with thread in inches (1/4"-20, 5/16"-18, 3/8"-16, 1/2"-13, 5/8"-11, 3/4"-10, 1"-8, ecc.); With different thicknesses and colours.
- Box quantity: According to your request.

Threaded bushings (for round tubes) Type: TP2



tube dimensions				Thread	D1	D2	H	L	Type	Code	Max static load (N)	
ø Outside (mm)	Thickness (mm)	ø Inside (mm)	D									
30	-	1	28	M8	30	28	6	31	TP2A8	CP001512	4500	
				M10	30	28	6	31	TP2A10	CP001513	5000	
				M12	30	28	6	31	TP2A12	CP001514	5500	
				M14	30	28	6	31	TP2A14	CP001515	6000	
				M16	30	28	6	31	TP2A16	CP001516	6500	
				M8	30	27	6	31	TP2B8	CP001517	4500	
		M10	30	27	6	31	TP2B10	CP001518	5000			
		M12	30	27	6	31	TP2B12	CP001519	5500			
		M14	30	27	6	31	TP2B14	CP001520	6000			
		M16	30	27	6	31	TP2B16	CP001521	6500			
		M8	30	26	6	31	TP2C8	CP001522	4500			
		M10	30	26	6	31	TP2C10	CP001523	5000			
	M12	30	26	6	31	TP2C12	CP001524	5500				
	M14	30	26	6	31	TP2C14	CP001525	6000				
	M16	30	26	6	31	TP2C16	CP001526	6500				
	M8	30	25	6	31	TP2D8	CP001527	4500				
	M10	30	25	6	31	TP2D10	CP001528	5000				
	M12	30	25	6	31	TP2D12	CP001529	5500				
	M14	30	25	6	31	TP2D14	CP001530	6000				
	M16	30	25	6	31	TP2D16	CP001531	6500				
	38	-	1,5	35	M8	38	35	8	38	TP2E8	CP001532	4500
					M10	38	35	8	38	TP2E10	CP001533	5000
					M12	38	35	8	38	TP2E12	CP001534	5500
					M14	38	35	8	38	TP2E14	CP001535	6000
M16					38	35	8	38	TP2E16	CP001536	6500	
M8					38	34	8	38	TP2F8	CP001537	4500	
M10			38	34	8	38	TP2F10	CP001538	5000			
M12			38	34	8	38	TP2F12	CP001539	5500			
M14			38	34	8	38	TP2F14	CP001540	6000			
M16			38	34	8	38	TP2F16	CP001541	6500			
M8			38	34	8	38	TP2G8	CP001542	4500			
M10			38	34	8	38	TP2G10	CP001543	5000			
M12		38	34	8	38	TP2G12	CP001544	5500				
M14		38	34	8	38	TP2G14	CP001545	6000				
M16		38	34	8	38	TP2G16	CP001546	6500				

Tube dimensions								Type	Code	Max static load (N)		
∅ Outside (mm)	Thickness (pouces)	Thickness (mm)	∅ Inside (mm)	Thread D	D1 (mm)	D2 (mm)	H (mm)				L (mm)	
48,3	11/2	1,5	45,3	M8	48,3	45,3	10	45	TP2M8	CP001565	7000	
				M10	48,3	45,3	10	45	TP2M10	CP001566	7500	
				M12	48,3	45,3	10	45	TP2M12	CP001567	8000	
				M14	48,3	45,3	10	45	TP2M14	CP001568	8500	
				M16	48,3	45,3	10	45	TP2M16	CP001569	9000	
		M20	48,3	45,3	10	45	TP2M20	CP001570	9500			
		M8	48,3	44,3	10	45	TP2N8	CP001571	7000			
		M10	48,3	44,3	10	45	TP2N10	CP001572	7500			
		M12	48,3	44,3	10	45	TP2N12	CP001573	8000			
		M14	48,3	44,3	10	45	TP2N14	CP001574	8500			
	M16	48,3	44,3	10	45	TP2N16	CP001575	9000				
	M20	48,3	44,3	10	45	TP2N20	CP001576	9500				
	M8	48,3	43,3	10	45	TP2O8	CP001577	7000				
	M10	48,3	43,3	10	45	TP2O10	CP001578	7500				
	M12	48,3	43,3	10	45	TP2O12	CP001579	8000				
	M14	48,3	43,3	10	45	TP2O14	CP001580	8500				
	M16	48,3	43,3	10	45	TP2O16	CP001581	9000				
	M20	48,3	43,3	10	45	TP2O20	CP001582	9500				
	50	-	1,5	47	M8	50	47	10	45	TP2P8	CP001583	7000
					M10	50	47	10	45	TP2P10	CP001584	7500
M12					50	47	10	45	TP2P12	CP001585	8000	
M14					50	47	10	45	TP2P14	CP001586	8500	
M16					50	47	10	45	TP2P16	CP001587	9000	
M20			50	47	10	45	TP2P20	CP001588	9500			
M8			50,9	47,9	10	45	TP2Q8	CP001589	7000			
M10			50,9	47,9	10	45	TP2Q10	CP001590	7500			
M12			50,9	47,9	10	45	TP2Q12	CP001591	8000			
M14			50,9	47,9	10	45	TP2Q14	CP001592	8500			
M16		50,9	47,9	10	45	TP2Q16	CP001593	9000				
M20		50,9	47,9	10	45	TP2Q20	CP001594	9500				
M8		50,9	46,9	10	45	TP2R8	CP001595	7000				
M10		50,9	46,9	10	45	TP2R10	CP001596	7500				
M12		50,9	46,9	10	45	TP2R12	CP001597	8000				
M14		50,9	46,9	10	45	TP2R14	CP001598	8500				
M16		50,9	46,9	10	45	TP2R16	CP001599	9000				
M20		50,9	46,9	10	45	TP2R20	CP001600	9500				
M8		50,9	45,9	10	45	TP2S8	CP001601	7000				
M10		50,9	45,9	10	45	TP2S10	CP001602	7500				
M12	50,9	45,9	10	45	TP2S12	CP001603	8000					
M14	50,9	45,9	10	45	TP2S14	CP001604	8500					
M16	50,9	45,9	10	45	TP2S16	CP001605	9000					
M20	50,9	45,9	10	45	TP2S20	CP001606	9500					
60,3	2	1,5	57,3	M8	60,3	57,3	12	52	TP2T8	CP001607	7000	
				M10	60,3	57,3	12	52	TP2T10	CP001608	7500	
				M12	60,3	57,3	12	52	TP2T12	CP001609	8000	
				M14	60,3	57,3	12	52	TP2T14	CP001610	8500	
				M16	60,3	57,3	12	52	TP2T16	CP001611	9000	
		M20	60,3	57,3	12	52	TP2T20	CP001612	9500			
		M24	60,3	57,3	12	52	TP2T24	CP001613	10000			
		M8	60,3	56,3	12	52	TP2U8	CP001614	7000			
		M10	60,3	56,3	12	52	TP2U10	CP001615	7500			
		M12	60,3	56,3	12	52	TP2U12	CP001616	8000			
	M14	60,3	56,3	12	52	TP2U14	CP001617	8500				
	M16	60,3	56,3	12	52	TP2U16	CP001618	9000				
	M20	60,3	56,3	12	52	TP2U20	CP001619	9500				
	M24	60,3	56,3	12	52	TP2U24	CP001620	10000				
	M8	60,3	55,3	12	52	TP2V8	CP001621	7000				
	M10	60,3	55,3	12	52	TP2V10	CP001622	7500				
	M12	60,3	55,3	12	52	TP2V12	CP001623	8000				
	M14	60,3	55,3	12	52	TP2V14	CP001624	8500				
	M16	60,3	55,3	12	52	TP2V16	CP001625	9000				
	M20	60,3	55,3	12	52	TP2V20	CP001626	9500				
M24	60,3	55,3	12	52	TP2V24	CP001627	10000					

Material: Bush in reinforced polyamide black colour; threaded insert in brass.

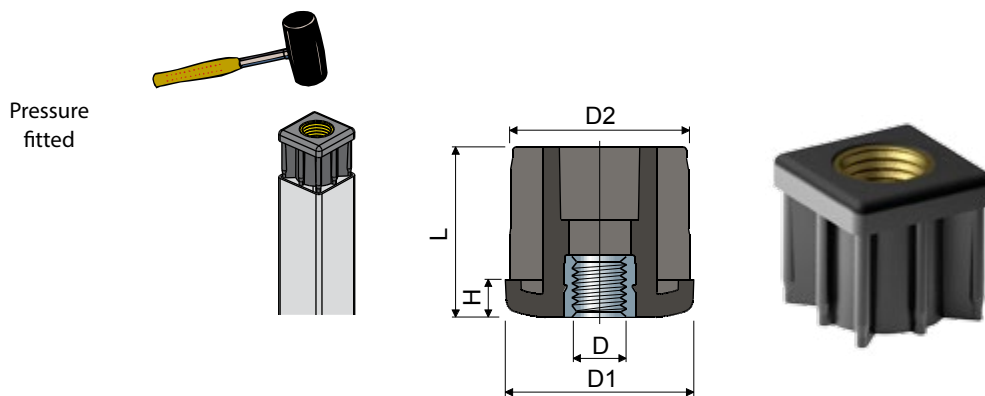
Box quantity: 24 pieces.

On request

- Bushes: With different thicknesses and colours.
- Box quantity: According to your request.



Threaded bushings (for square tubes) Type: TP3



Dimensions du tube								Type	Code	Max static load (N)
Externe (mm)	Épaisseur (mm)	Interne (mm)	Filetage D	D1 (mm)	D2 (mm)	H (mm)	L (mm)			
20	1,5	17	M8	20	17	5	23	TP3A	CP001628	4500
			M10	25	22	6	26	TP3B8	CP001629	4500
25	1,5	22	M10	25	22	6	26	TP3B10	CP001630	5000
			M12	25	22	6	26	TP3B12	CP001631	5500
			M8	30	27	6	31	TP3C8	CP001632	4500
30	1,5	27	M10	30	27	6	31	TP3C10	CP001633	5000
			M12	30	27	6	31	TP3C12	CP001634	5500
			M14	30	27	6	31	TP3C14	CP001635	6000
	2	26	M16	30	27	6	31	TP3C16	CP001636	6500
			M8	30	26	6	31	TP3D8	CP001637	4500
			M10	30	26	6	31	TP3D10	CP001638	5000
35	1,5	32	M12	30	26	6	31	TP3D12	CP001639	5500
			M14	30	26	6	31	TP3D14	CP001640	6000
			M16	30	26	6	31	TP3D16	CP001641	6500
			M8	35	32	8	38	TP3E8	CP001642	6500
			M10	35	32	8	38	TP3E10	CP001643	7000
	2	31	M12	35	32	8	38	TP3E12	CP001644	7500
			M14	35	32	8	38	TP3E14	CP001645	8000
			M16	35	32	8	38	TP3E16	CP001646	8500
			M20	35	32	8	38	TP3E20	CP001647	9000
			M8	35	31	8	38	TP3F8	CP001648	6500
			M10	35	31	8	38	TP3F10	CP001649	7000
			M12	35	31	8	38	TP3F12	CP001650	7500
40	1,2	37,6	M14	35	31	8	38	TP3F14	CP001651	8000
			M16	35	31	8	38	TP3F16	CP001652	8500
			M20	35	31	8	38	TP3F20	CP001653	9000
			M8	40	37,6	8	38	TP3G8	CP001654	7000
			M10	40	37,6	8	38	TP3G10	CP001655	7500
	1,5	37	M12	40	37,6	8	38	TP3G12	CP001656	8000
			M14	40	37,6	8	38	TP3G14	CP001657	8500
			M16	40	37,6	8	38	TP3G16	CP001658	9000
			M20	40	37,6	8	38	TP3G20	CP001659	9500
			M8	40	37	8	38	TP3H8	CP001660	7000
2	36	M10	40	37	8	38	TP3H10	CP001661	7500	
		M12	40	37	8	38	TP3H12	CP001662	8000	
		M14	40	37	8	38	TP3H14	CP001663	8500	
		M16	40	37	8	38	TP3H16	CP001664	9000	
		M20	40	37	8	38	TP3H20	CP001665	9500	
40	2,5	35	M8	40	36	8	38	TP3I8	CP001666	7000
			M10	40	36	8	38	TP3I10	CP001667	7500
			M12	40	36	8	38	TP3I12	CP001668	8000
			M14	40	36	8	38	TP3I14	CP001669	8500
			M16	40	36	8	38	TP3I16	CP001670	9000
	2,5	35	M20	40	36	8	38	TP3I20	CP001671	9500
			M8	40	35	8	38	TP3L8	CP001672	7000
			M10	40	35	8	38	TP3L10	CP001673	7500
			M12	40	35	8	38	TP3L12	CP001674	8000
			M14	40	35	8	38	TP3L14	CP001675	8500
2,5	35	M16	40	35	8	38	TP3L16	CP001676	9000	
		M20	40	35	8	38	TP3L20	CP001677	9500	

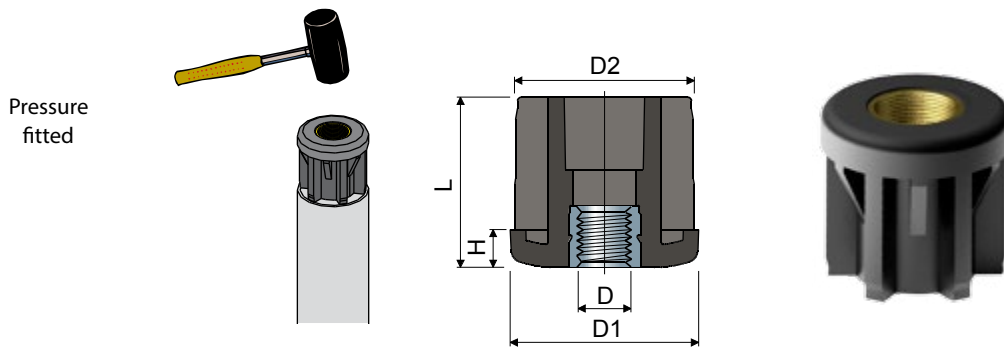
Tube dimensions								Type	Code	Max static load (N)
Outside (mm)	Thickness (mm)	Inside (mm)	Thread D	D1 (mm)	D2 (mm)	H (mm)	L (mm)			
45	2	41	M8	45	41	8	38	TP3M8	CP001678	7000
			M10	45	41	8	38	TP3M10	CP001679	7500
			M12	45	41	8	38	TP3M12	CP001680	8000
			M14	45	41	8	38	TP3M14	CP001681	8500
			M16	45	41	8	38	TP3M16	CP001682	9000
			M20	45	41	8	38	TP3M16	CP001683	9500
	1,2	47,6	M8	50	47,6	10	45	TP3N8	CP001684	7000
			M10	50	47,6	10	45	TP3N10	CP001685	7500
			M12	50	47,6	10	45	TP3N12	CP001686	8000
			M14	50	47,6	10	45	TP3N14	CP001687	8500
			M16	50	47,6	10	45	TP3N16	CP001688	9000
			M20	50	47,6	10	45	TP3N20	CP001689	9500
	1,5	47	M8	50	47	10	45	TP3O8	CP001690	7000
			M10	50	47	10	45	TP3O10	CP001691	7500
			M12	50	47	10	45	TP3O12	CP001692	8000
			M14	50	47	10	45	TP3O14	CP001693	8500
			M16	50	47	10	45	TP3O16	CP001694	9000
			M20	50	47	10	45	TP3O20	CP001695	9500
50	2	46	M8	50	46	10	45	TP3P8	CP001696	7000
			M10	50	46	10	45	TP3P10	CP001697	7500
			M12	50	46	10	45	TP3P12	CP001698	8000
			M14	50	46	10	45	TP3P14	CP001699	8500
			M16	50	46	10	45	TP3P16	CP001700	9000
			M20	50	46	10	45	TP3P20	CP001701	9500
	2,5	45	M8	50	45	10	45	TP3Q8	CP001702	7000
			M10	50	45	10	45	TP3Q10	CP001703	7500
			M12	50	45	10	45	TP3Q12	CP001704	8000
			M14	50	45	10	45	TP3Q14	CP001705	8500
			M16	50	45	10	45	TP3Q16	CP001706	9000
			M20	50	45	10	45	TP3Q20	CP001707	9500
	3	44	M8	50	44	10	45	TP3R8	CP001708	7000
			M10	50	44	10	45	TP3R10	CP001709	7500
			M12	50	44	10	45	TP3R12	CP001710	8000
			M14	50	44	10	45	TP3R14	CP001711	8500
			M16	50	44	10	45	TP3R16	CP001712	9000
			M20	50	44	10	45	TP3R20	CP001713	9500
60	2	56	M8	60	56	10	45	TP3S8	CP001714	7000
			M10	60	56	10	45	TP3S10	CP001715	7500
			M12	60	56	10	45	TP3S12	CP001716	8000
			M14	60	56	10	45	TP3S14	CP001717	8500
			M16	60	56	10	45	TP3S16	CP001718	9000
			M20	60	56	10	45	TP3S20	CP001719	9500
	3	54	M8	60	54	10	45	TP3T8	CP001720	7000
			M10	60	54	10	45	TP3T10	CP001721	7500
			M12	60	54	10	45	TP3T12	CP001722	8000
			M14	60	54	10	45	TP3T14	CP001723	8500
			M16	60	54	10	45	TP3T16	CP001724	9000
			M20	60	54	10	45	TP3T20	CP001725	9500
80	3	74	M16	80	74	10	45	TP3U16	CP001726	9000
			M20	80	74	10	45	TP3U20	CP001727	9500

Material: Bush in reinforced polyamide black colour; threaded insert in brass.  
 Box quantity: 24 pieces.

On request

- Bushes: With different thicknesses and colours.
- Box quantity: According to your request.

## Threaded bushings (for round tubes: sizes and threads in "inches") Type: TP4



Tube dimensions										Type	Code	Max static load (N)
ø Outside (inches)	Thickness (inches)	ø Inside (mm)	Thread D (UNC)	D1 (mm)	D2 (mm)	H (mm)	L (mm)					
1"	(25,4)	0,083	(2,1)	21,18	1/4"-20 (6,35)	25,2	21,18	6	26	TP4A	CP001728	4500
					5/16"-18 (7,93)	25,2	21,18	6	26	TP4B	CP001729	4500
1 1/4"	(31,75)	0,083	(2,1)	27,53	3/8"-16 (9,52)	31,5	27,53	6	31	TP4C	CP001730	5000
					1/2"-13 (12,7)	31,5	27,53	6	31	TP4D	CP001731	5000
					5/8"-11 (15,87)	31,5	27,53	6	31	TP4E	CP001732	6500
					3/8"-16 (9,52)	38	34,8	8	38	TP4F	CP001733	5000
1 1/2"	(38,1)	0,065	(1,65)	34,8	1/2"-13 (12,7)	38	34,8	8	38	TP4G	CP001734	5000
					5/8"-11 (15,87)	38	34,8	8	38	TP4H	CP001735	6500
					3/4"-10 (19,05)	38	34,8	8	38	TP4I	CP001736	9000
		0,083	(2,1)	33,89	3/8"-16 (9,52)	38	33,89	8	38	TP4L	CP001737	5000
					1/2"-13 (12,7)	38	33,89	8	38	TP4M	CP001738	5000
					5/8"-11 (15,87)	38	33,89	8	38	TP4N	CP001739	6500
1 3/4"	(44,45)	0,12	(3,04)	38,35	3/4"-10 (19,05)	38	33,89	8	38	TP4O	CP001740	9000
					5/8"-11 (15,87)	44,2	38,35	8	38	TP4P	CP001741	6500
					3/4"-10 (19,05)	44,2	38,35	8	38	TP4Q	CP001742	9000
					1"-8 (25,4)	44,2	38,35	8	38	TP4R	CP001743	10000
		0,065	(1,65)	47,5	3/8"-16 (9,52)	50,6	47,5	10	45	TP4S	CP001744	5000
					1/2"-13 (12,7)	50,6	47,5	10	45	TP4T	CP001745	5000
					5/8"-11 (15,87)	50,6	47,5	10	45	TP4U	CP001746	6500
					3/4"-10 (19,05)	50,6	47,5	10	45	TP4V	CP001747	9000
2"	(50,8)	0,109	(2,77)	45,26	3/8"-16 (9,52)	50,6	45,26	10	45	TP4Z	CP001748	5000
					1/2"-13 (12,7)	50,6	45,26	10	45	TP4W	CP001749	5000
					5/8"-11 (15,87)	50,6	45,26	10	45	TP4X	CP001750	6500
		0,156	(3,96)	42,88	3/4"-10 (19,05)	50,6	45,26	10	45	TP4Y	CP001751	9000
					5/8"-11 (15,87)	50,6	42,88	10	45	TP4J	CP001752	6500
					3/4"-10 (19,05)	50,6	42,88	10	45	TP4K	CP001753	9000
2 1/2"	(63,5)	0,156	(3,96)	55,58	1"-8 (25,4)	50,6	42,88	10	45	TP4α	CP001754	10000
					5/8"-11 (15,87)	63,3	55,58	12	52	TP4β	CP001755	6500
					3/4"-10 (19,05)	63,3	55,58	12	53	TP4δ	CP001756	9000
					1"-8 (25,4)	63,3	55,58	12	52	TP4γ	CP001757	10000

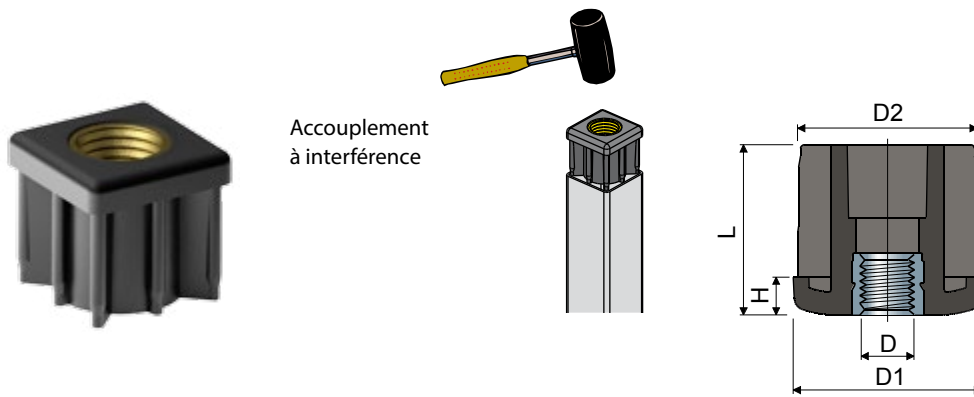
Material: Bush in reinforced polyamide black colour; threaded insert in brass.

Box quantity: 24 pieces.

On request

- Bushes: With different thicknesses and colours.
- Box quantity: According to your request.

## Threaded bushings (for square tubes: sizes and threads in "inches") Type: TP5



Dimensions du tube											Type	Code	Max static load (N)
Outside (pouces)	Thickness (pouces)	Thickness (mm)	Inside (mm)	Thread (UNC)	D (mm)	D1 (mm)	D2 (mm)	H (mm)	L (mm)				
1"1/2	0,065	(1,65)	34,8	3/8"-16	(9,52)	38	34,8	8	38	TP5A	CP001758	5000	
				1/2"-13	(12,7)	38	34,8	8	38	TP5B	CP001759	5000	
				5/8"-11	(15,87)	38	34,8	8	38	TP5C	CP001760	6500	
				3/4"-10		38	34,8	8	38	TP5D	CP001761	9000	
	0,12	(3,05)	32	3/8"-16	(9,52)	38	32	8	38	TP5E	CP001762	5000	
				1/2"-13	(12,7)	38	32	8	38	TP5F	CP001763	5000	
				5/8"-11		38	32	8	38	TP5G	CP001764	6500	
				3/4"-10		38	32	8	38	TP5H	CP001765	9000	
	2"	0,065	(1,65)	47,5	3/8"-16	(9,52)	50,6	47,5	10	45	TP5I	CP001766	5000
					1/2"-13	(12,7)	50,6	47,5	10	45	TP5L	CP001767	5000
					5/8"-11		50,6	47,5	10	45	TP5M	CP001768	6500
					3/4"-10		50,6	47,5	10	45	TP5N	CP001769	9000
0,109		(2,77)	45,26	3/8"-16	(9,52)	50,6	45,26	10	45	TP5O	CP001770	5000	
				1/2"-13	(12,7)	50,6	45,26	10	45	TP5P	CP001771	5000	
				5/8"-11		50,6	45,26	10	45	TP5Q	CP001772	6500	
				3/4"-10		50,6	45,26	10	45	TP5R	CP001773	9000	
0,12		(3,05)	44,7	3/8"-16	(9,52)	50,6	44,7	10	45	TP5S	CP001774	5000	
				1/2"-13	(12,7)	50,6	44,7	10	45	TP5T	CP001775	5000	
				5/8"-11		50,6	44,7	10	45	TP5U	CP001776	6500	
				3/4"-10		50,6	44,7	10	45	TP5V	CP001777	9000	

Material: Bush in reinforced polyamide black colour; threaded insert in brass.  
Box quantity: 24 pieces.

On request

- Bushes: With different thicknesses and colours.
- Box quantity: According to your request.